

Cusp 02 LED Pedant Light



LM80

5 Yrs
Warranty

RCM

SAA

IP20

TUV

9/331 Ingles Street
Port Melbourne VIC 3207 Australia

info@greenlux.com.au
sales@greenlux.com.au

T 1300 650 625
www.greenlux.com.au



Introduction

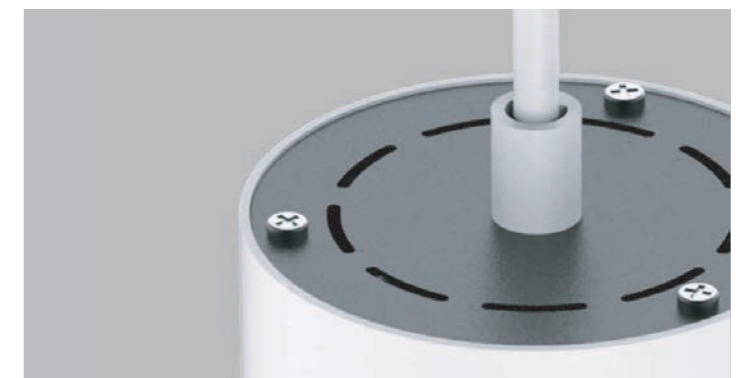
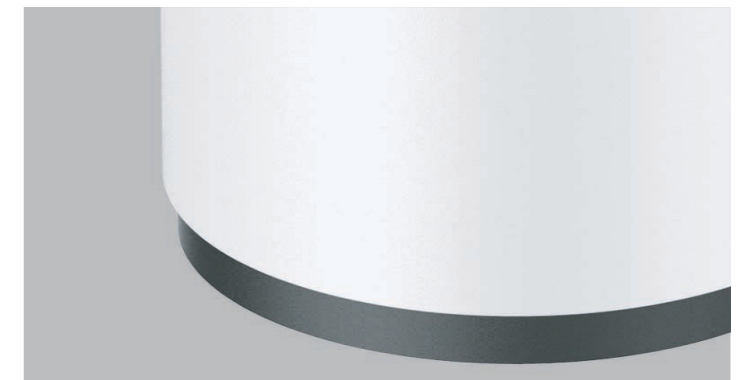
This pendant light is an anti-glare design. High lumen COB chip and PMMA lens offer a uniform lighting output. AL6063 aluminum lamp body provides excellent heat dissipation. Special lens design reaches anti-glare effect and creates a comfortable visual experience. Multiple beam angle lens optional, modular lens design make a convenient maintenance. Easy installation, recreational for various application.

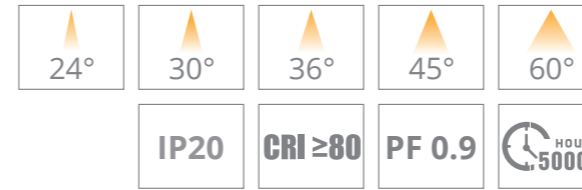
Features

- Anti-glare design
- CRI80 / 90 / 97 available
- Modular lens design: 24° / 30° / 45° for 10W / 15W; 24°/36°/60° for 20W and above
- SDCM<6
- Flicker free internal driver

Application Areas

Applicable for residential lighting in bedroom, living room, corridor etc, also suitable for commercial lighting in office, hotel, restaurant etc.



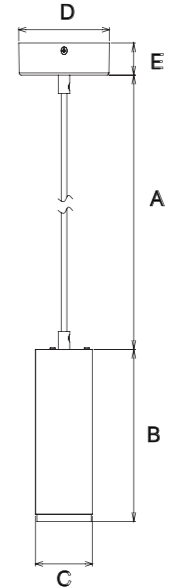


Technical Data Sheet

Model No.	GUCUS-10W-02-H	GUCUS-15W-02-H	GUCUS-20W-02-H	GUCUS-25W-02-H	GUCUS-30W-02-H	GUCUS-40W-02-H		
Dimension(mm)	Ø65*157	Ø65*157	Ø85*178	Ø85*178	Ø100*211	Ø100*211		
Cutout (mm)	-							
Watt(W)	10W	15W	20W	25W	30W	40W		
Rated Input Voltage(V)	AC230V							
Input Voltage(V)	AC200V—240V							
LED Module Input	-							
Light Source	COB							
SDCM	<6							
CCT(K)	1-CCT: 2700K/3000K/4000K/5000K							
CCT Selection DIP Switch	NO							
Luminous Flux (lm) ±5%	Non-DIM	1-CCT	780~1100	1200~1500	1850~2250	2150~2700	2650-3050	3550-4200
			DIM	750~1050	1100~1400	1750~2150	2000~2600	2550~3000
	Non-DIM	3-CCT	-					
			DIM	-				
CRI	80(90/97 optional)							
Beam Angle (°)	24°/30°/45°			24°/36°/60°				
UGR	-							
LED Driver	Built-in							
Dimming Option	Yes	Yes	Yes	Yes	Yes	No		
Sensor	No							
Emergency Kits	No							
Electrical Class	Australian Safety Standard							
Ingress Protection (IP Rating)	IP20							
Impact Resistance (IK Rating)	-							
Product Finishing(Base)	White RAL 9016/Black RAL9005							
Materials of Optics	PMMA							
Materials of Housing	PC / Aluminium							
Lifetime (hr)	5,0000h							
Glow wire test (C)	650°C							
Operating Temp. (C)	-20°C ~45 °C							
Storage Temp. (C)	25°C							
Installation	Pendant							

Measurement

Model	Dimension(mm)					Size(mm)	Product Weight (Kg)	
	A	B	C	D	E		N.W/PC	G.W/PC
GUCUS-10W-02-H	1080	157	Ø65	Ø104.5	29	Ø65*157	0.55	0.65
GUCUS-15W-02-H	1080	157	Ø65	Ø104.5	29	Ø65*157	0.55	0.65
GUCUS-20W-02-H	1080	178	Ø85	Ø104.5	29	Ø85*178	0.8	0.9
GUCUS-25W-02-H	1080	178	Ø85	Ø104.5	29	Ø85*178	0.8	0.9
GUCUS-30W-02-H	1080	211	Ø100	Ø104.5	29	Ø100*211	1.15	1.25
GUCUS-40W-02-H	1080	211	Ø100	Ø104.5	29	Ø100*211	1.15	1.25



Driver Datasheet (Non-Dimmable)

Total load wattage		10W	15W	20W	25W	30W	40W
Output	Output Voltage range	DC30-40V					
	Rated output current	230mA	350mA	500mA	600mA	750mA	950mA
	Line Regulation	±5%					
	Setup, Rise Time	≤0.5S					
	Flickering Index	≤10%					
Input	Input Voltage	AC180-265V					
	Rated Input Voltage(V)	AC200-240V					
	Frequency	50/60Hz					
	Input Current	≤0.06A	≤0.08A	0.12A	0.15A	0.18A	0.25A
	Rated Input Current	≤0.05A	≤0.07A	0.11A	0.14A	0.17A	0.23A
	Power Factor	0.9					
	THD	<20% @230V					
	Efficiency	≥82%	≥85%	≥86%	≥87%	≥87%	≥87%
	No load wattage	<0.5W					
Protection	Short circuit protection	Pass					
	Over voltage protection	Pass					
	Over temperature protection	Pass					
Safety & EMC	Withstand voltage	I/P-O/P:3.75KVac, <5mA 60S					
	Isolation Resistance	I/P-O/P: 500VDC, ≥100M Ω					
	Surge	IEC61000-4-5(L-N:0.5KV, L/N-PG:1KV)			IEC61000-4-5(L-N:1KV, L/N-PG:2KV)		
	EMC Emission	EN55015, EN61000-3-2					
EMC Immunity	EN61000-4-2,3,4,5,6,8,11; EN61547						

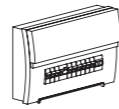
Driver Datasheet(Triac Dimmable)

Total load wattage		10W	15W	20W	25W	30W
Output	Output Voltage range	DC30-40V				
	Rated output current	220mA	350mA	480mA	580mA	700mA
	Line Regulation	±5%				
	Setup, Rise Time	≤0.5S				
	Flickering Index	≤10%				
Input	Input Voltage	AC200-240V				
	Rated Input Voltage(V)	AC230V				
	Frequency	50/60Hz				
	Input Current	≤0.06A	≤0.09A	0.12A	0.14A	0.17A
	Rated Input Current	≤0.05A	≤0.08A	0.11A	0.12A	0.15A
	Power Factor	0.9				
	THD	-	-	-	<20% @230V	<20% @230V
	Efficiency	≥78%	≥83%	≥84%	≥84%	≥85%
	No load wattage	<0.5W				
	Protection	Short circuit protection	Pass			
Over voltage protection		Pass				
Over temperature protection		Pass				
Safety & EMC	Withstand voltage	I/P-O/P:3.75KVac,<5mA 60S				
	Isolation Resistance	I/P-O/P: 500VDC, ≥100M Ω				
	Surge	IEC61000-4-5(L-N:0.5KV, L/N-PG:1KV)			IEC61000-4-5(L-N:1KV, L/N-PG:2KV)	
	EMC Emission	EN55015, EN61000-3-2				
	EMC Immunity	EN61000-4-2,3,4,5,6,8,11; EN61547				

Installation Procedure

WARNING ⚡

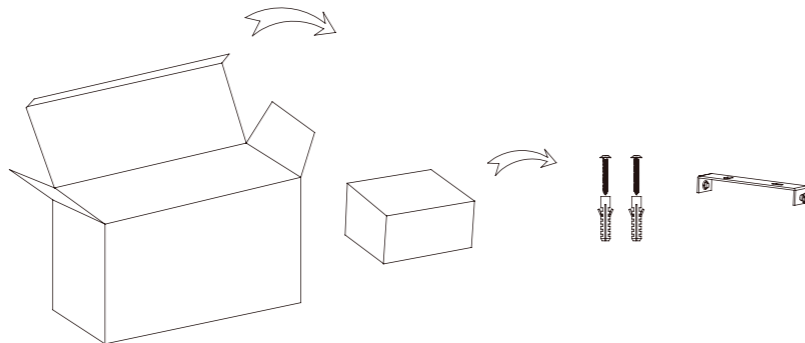
1. Switch off before installation / maintenance.
2. Switch on only after complete installation and examination of the circuit.
3. Professional electrician for installation and maintenance only.



Turn Off power supply before starting any installation. Read instructions & check you have all the tools & accessories to complete the installation correctly.

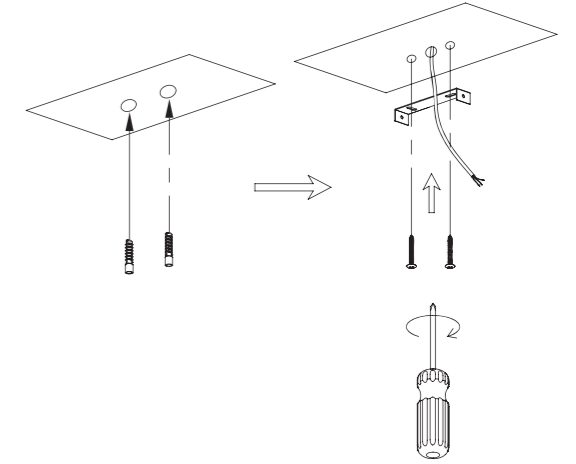
Surface Mounted Installation

Step 1



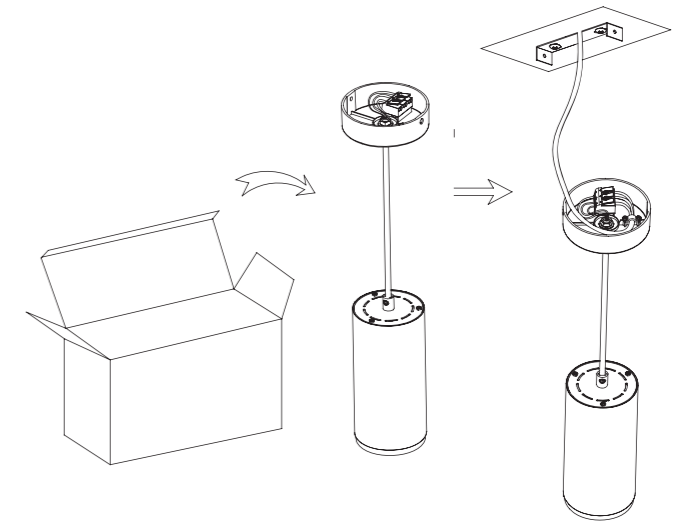
Take out accessory pack from box.

Step 2



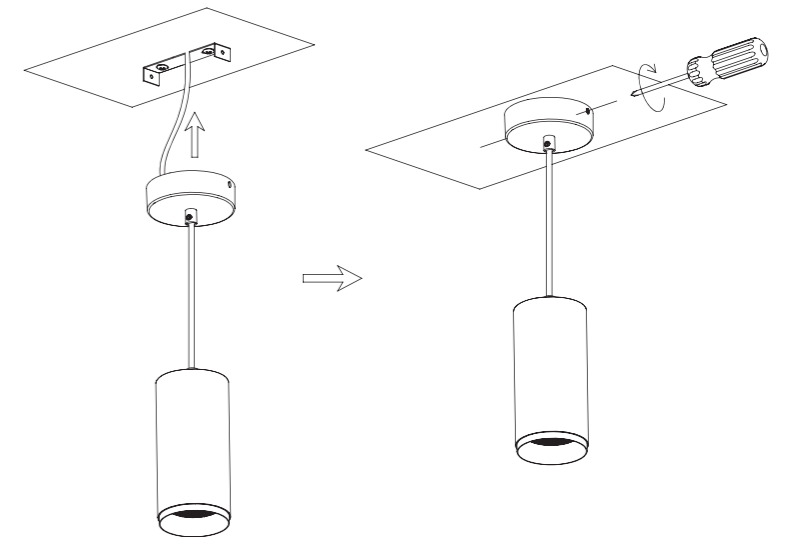
Knock the plastic anchor into ceiling. Fix the installation bracket with screw on the ceiling.

Step 3



Take out the lamp, connect the AC wires to terminal block correctly

Step 4



Fix the ceiling light into the installation bracket with screw