

Allure Series

1575

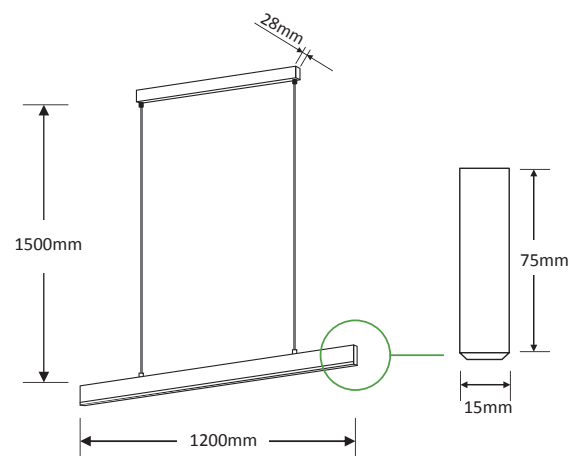


Allure LED Linear Light 1575

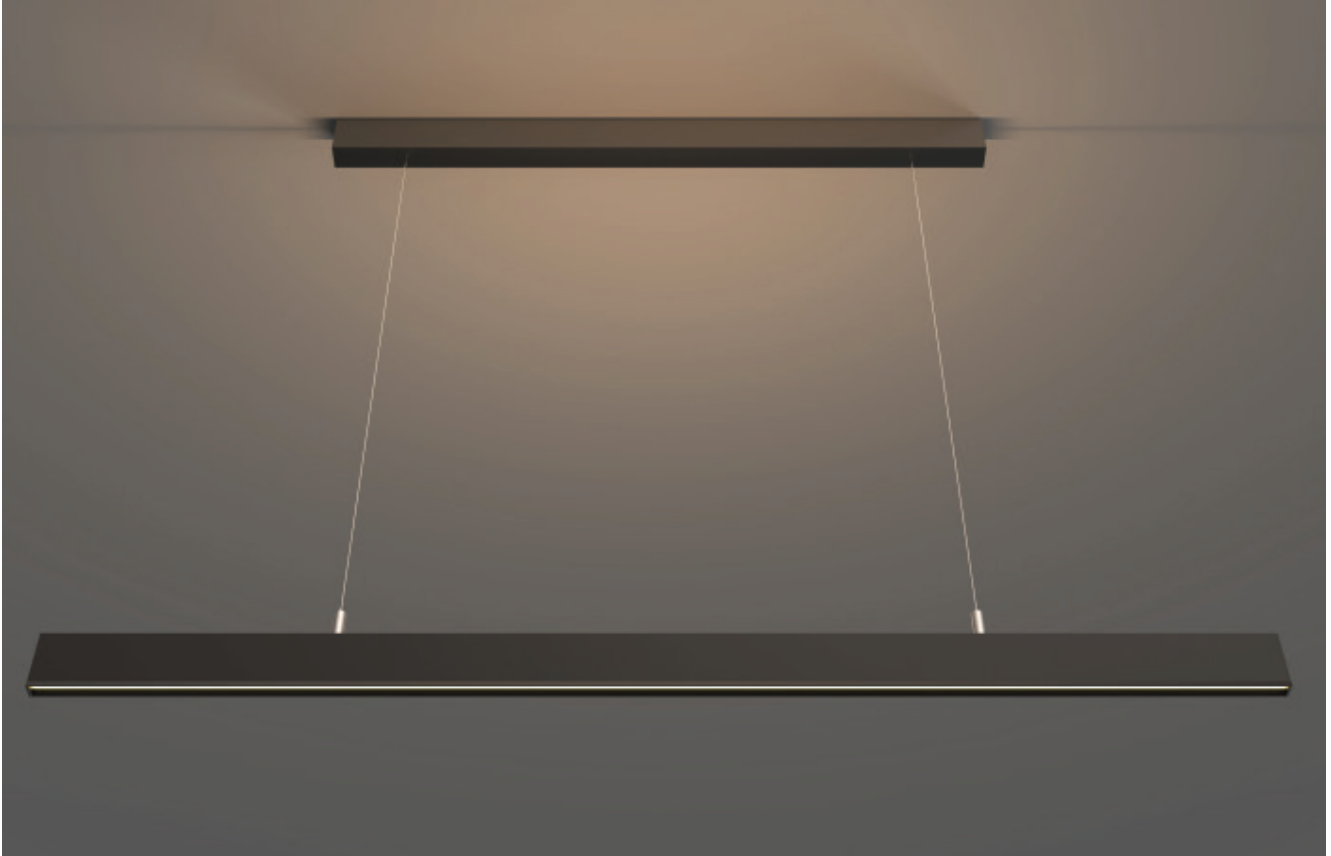
Allure 1575 adopts modernism design style, simple and stylish, with stable quality and high luminous efficiency, exquisite & durable and good heat dissipation.



- ☒ Ultra-slim architecture design;
- ☒ Anti-glare with diffuser;
- ☒ Downward Light or Up/Down options;
- ☒ Up Light 10W, Downward light 30W;
- ☒ Motion Sensor Switch option;
- ☒ Aluminum profile with high-quality surface treatment;
- ☒ Three optional colors of black, white and silver;
- ☒ LM80 certified light source, life >50000H;
- ☒ Built-in efficient and safe flicker-free dimming power supply;
- ☒ Multiple light distributions, select freely, flexible application.



Allure LED Linear Light 1575



MOTION SENSOR SWITCH

Turn on and off
by hand movement

Allure LED Linear Light 1575

Optical & electronic data:

Model	Fixture	CCT	Flux (lm)	CRI	Beam Angle	Input Voltage	Dimming	PF	Power (W)	Efficiency (lm/W)
GKALL-30W-D	Downward	3000K	1000lm	>80/90	110°	AC 220-240V 50-60Hz	Triac	>0.9	30W	40
		4000K	1150lm							40
GKALL-40W-UD	Up/Downward	3000K	1400lm	>80/90	110°	AC 220-240V 50-60Hz	Triac	>0.9	40W	40
		4000K	1500lm							40
GKALL-30W-DS	Downward with Sensor	3000K	1000lm	>80/90	110°	AC 220-240V 50-60Hz	Triac	>0.9	30W	40
		4000K	1150lm							40
GKALL-40W-UDS	Up/Downward With Sensor	3000K	1400lm	>80/90	110°	AC 220-240V 50-60Hz	Triac	>0.9	40W	40
		4000K	1500lm							40