

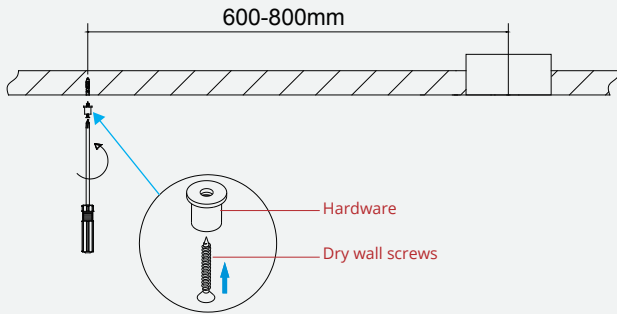
USER MANUAL

Chain GLSF GLHF

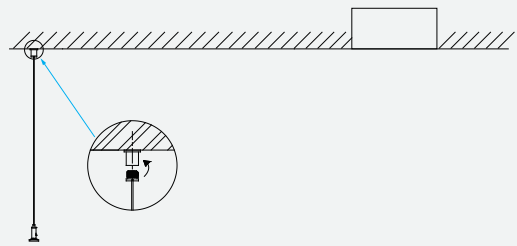


Pendent Installation

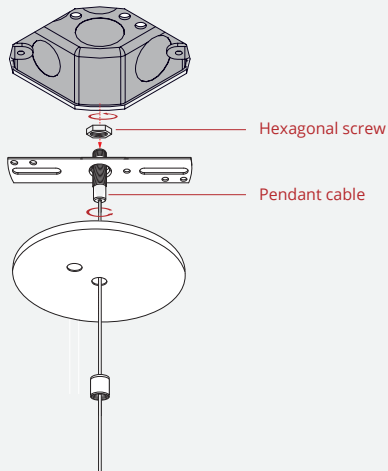
1 Fasten the hardware with dry wall screws



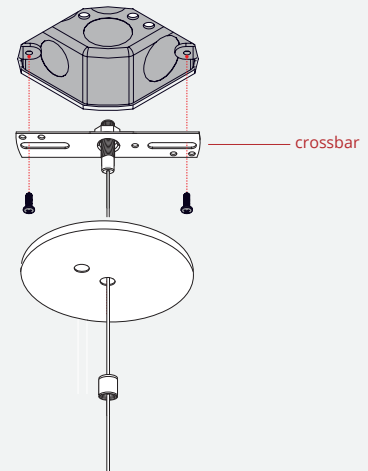
2 Screw the one end pendant line into the hardware, and fasten it



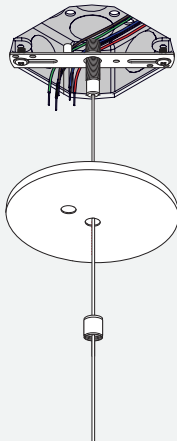
3 Fasten the other end pendant line on the crossbar



4 Mounting the crossbar to J-Box

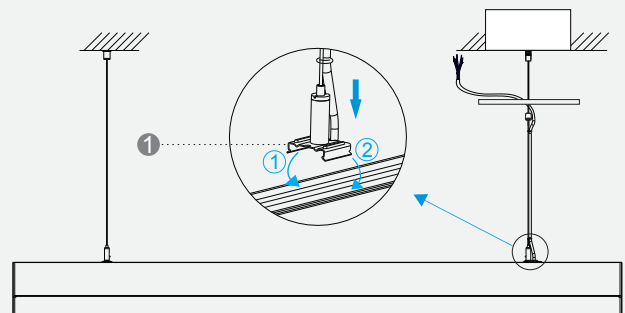


5 The installation of the crossbar finished



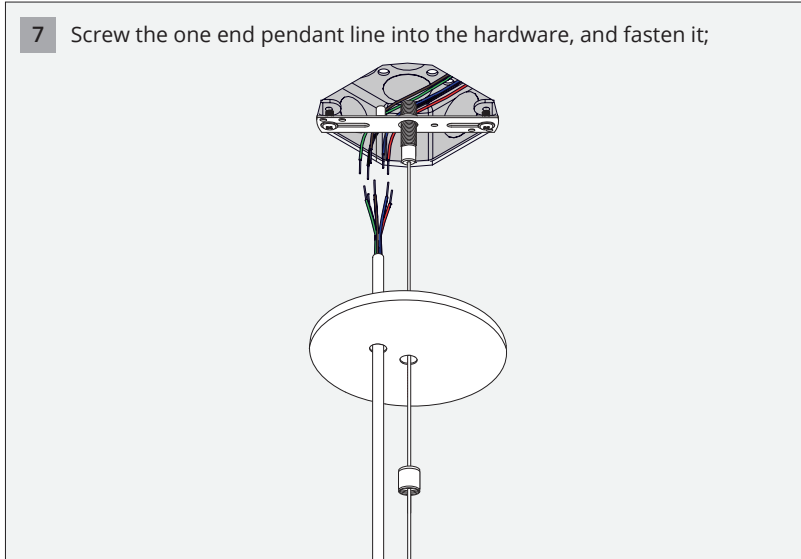
6 Install the luminaire

Mounting the clips on the one end of the pendant lines, then fasten the clips into the slots at the back of the luminaire, and run the wire through the canopy



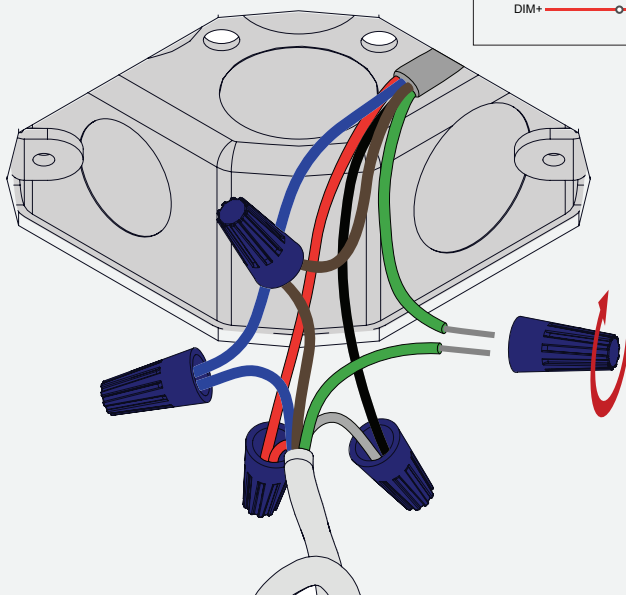
Pendent Installation

7 Screw the one end pendant line into the hardware, and fasten it;

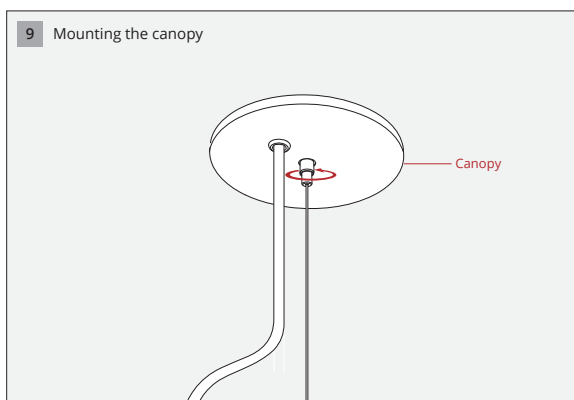


8 Make wiring connections by screwing wire nuts

L	Line Voltage	Hot	Brown
N	Line Voltage	Neutral	Blue
G	Ground	Ground	Green
DIM-	0-10V DC	Dimming-	Black
DIM+	0-10V DC	Dimming+	Red



9 Mounting the canopy



10 Finished
Adjust the length of pendant wire to ensure the luminaire at a proper height (the length of pendant wire is less than the length of the power line)
Fasten the wire and pendant line by the cable tie

