

SD85

Surface Mounted LED Downlight

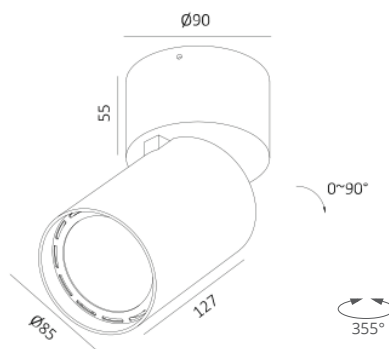
Model: GVSD85-30W

Product Features

- Triac Dimmable
- Compact size



Outer Dimensions



Light Distribution

3000K 24°

h(m)	E(lx)	Ø(m)
1	9251	Ø0.42
2	2313	Ø0.85
3	1028	Ø1.27
4	578.2	Ø1.70
5	370	Ø2.12

Photometric 3000K 24D Rta.90

Specification

Technical Data

Light source: Citizen/Cree COB
 System wattage: 30W (700mA, 36V)
 Lumen flux: 2500lm (18W, 36D, 3000K, Ra.90)
 Colour temperature: 2700K, 3000K, 4000K
 Colour rendering index: Ra≥90
 Chromaticity rate: 3 MacAdam
 Beam angle: 15D, 24D, 36D, Reflector Type
 Service lifetime: 50,000hrs, L70
 Ingress protection: IP21 Installed
 Operation voltage: 220-240Vac, 50/60Hz
 Operation temperature: -20~40D
 Protection class: I
 Mounting: Ceiling Surface

Lighting control

Phase-cut (Triac) Dimmable

Finish

White RAL9003, Gloss 5
 Black RAL9005, Gloss 5

Material

Aluminum

Warranty

3 years for residential
 5 years for commercial