

# Tita 92

## Gimbal LED Downlight

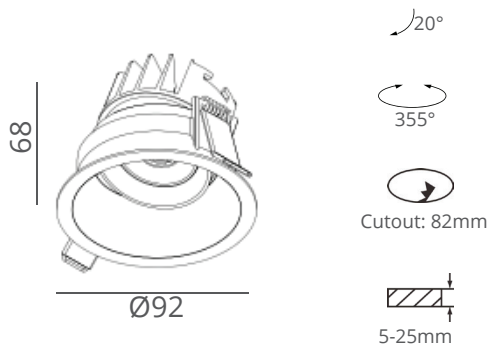
Model: GVTIT-10W-G

### Product Features

- Low UGR design
- Slim trim design
- 25 Degree tilt & 355 Degree rotate



### Outer Dimensions



### Light Distribution

3000K 36°

h(m)	E(lx)	Ø(m)
1	1218	Ø0.65
2	304.6	Ø1.30
3	135.4	Ø1.95
4	76.15	Ø2.60
5	48.74	Ø3.25

Photometric 3000K 36D Rta.90

### Specification

#### Technical Data

Light source: Cree CXA1507  
 System wattage: 10W (250mA, 36V)  
 Lumen flux: 650lm (10W, 36D, 3000K, Ra.90)  
 Colour temperature: 2700K, 3000K, 4000K  
 Colour rendering index: Ra≥90  
 Chromaticity rate: 3 MacAdam  
 Beam angle: 24D, 36D, 60D, Lens Type  
 Service lifetime: 50,000hrs, L70  
 Ingress protection: IP54 Installed  
 Operation voltage: 220-240Vac, 50/60Hz  
 Operation temperature: -20~40D  
 Protection class: III  
 Mounting: Ceiling Recessed, spring type

#### Lighting control

Tridonic non-dim, ECG standard  
 Actec triac dim  
 0-10V, Dali dimming upon request

#### Finish

White RAL9003, Gloss 5  
 Black RAL9005, Gloss 5

#### Material

Aluminum

#### Warranty

3 Years for residential  
 5 years for commercial