

WL38 Outdoor LED Wall Light



LM80

5 Yrs
Warranty

RCM

SAA

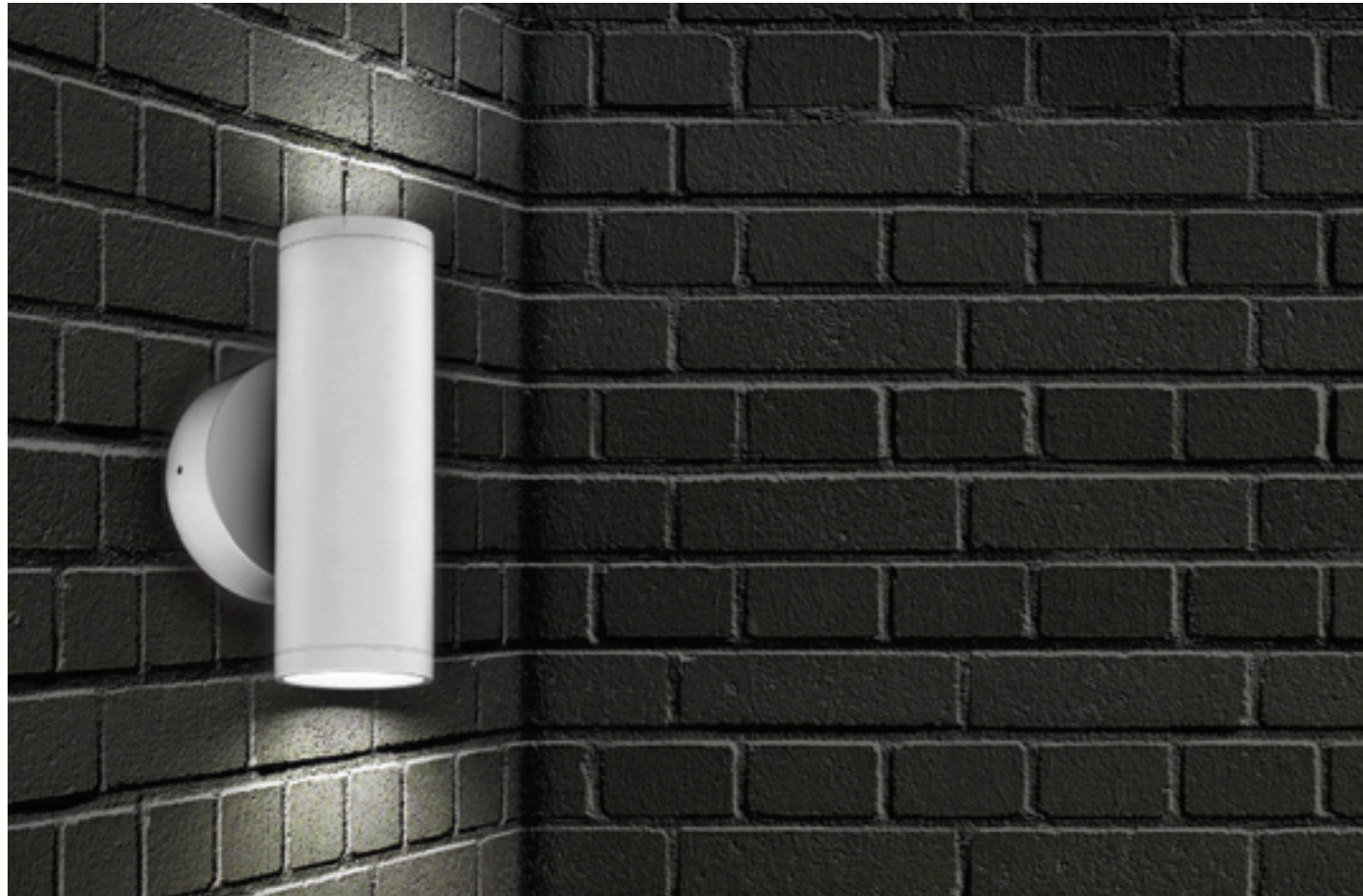
IP65

TUV

9/331 Ingles Street
Port Melbourne VIC 3207 Australia

info@greenlux.com.au
sales@greenlux.com.au

T 1300 650 625
www.greenlux.com.au



Introduction

The LED wall light with up and down light effect design. Adopt 6063 aluminum housing providing excellent thermal management. IP65 waterproof for outdoor use.

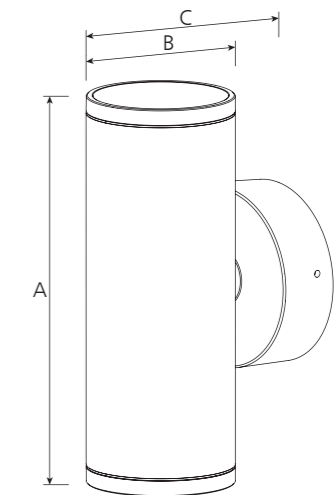
Features

- IP65 waterproof.
- Up and down luminous design.
- Different beam angle for options.
- Loop-in and loop-out function.
- Aluminum housing provides excellent thermal management.

Application Areas

The LED wall light can be used in corridors, stairwells, reception areas, meeting rooms, pillars in open plan offices.





Technical Data Sheet

Model No.		GUWL38-10W	GUWL38-20W	GUWL38-27W	
Watt(W)		10W	20W	27W	
Dimension(mm)		170*60*105	200*76*121	230*100*145	
Rated Input Voltage(V)		AC100-240V			
Input Voltage(V)		AC85-265V			
LED		COB			
SDCM		-			
CCT(K)		1CCT: 2700K / 3000K / 4000K / 5000K			
"Luminous Flux (lm) ±5%"	1-CCT	Non-DIM	700~900	2000~2200	2800~3200
		DIM	-	-	-
CRI		≥80			
Beam Angle (°)		15° / 24° / 60°	15° / 36° / 60°	15° / 24° / 60°	
LED Driver		Built-in			
DIM		No			
Protection Class		Class I			
IP Rating		IP65			
IK Rating		-			
Finishing color		White RAL 9016 / Black RAL 9005			
Material		6063 Aluminum			
Lifetime (hr)		50,000h			
Glow wire test (°C)		750°C			
Operating Temp.(°C)		-20°C ~40°C			
Storage Temp.(°C)		-20°C ~65°C			
Installation		Wall mount			
Brand Driver option		-			

Measurement

Model	Dimension(mm)			Size(mm)	Product Weight (Kg)	
	A	B	C		N.W/PC	G.W/PC
GUWL38-10W	170	60	105	170*60*105	0.60	0.72
GUWL38-20W	200	76	121	200*76*121	0.90	1.02
GUWL38-27W	230	100	145	230*100*145	1.20	1.35

Driver Datasheet (Non-Dimmable)

Power	10W	20W	27W
Rated Input Voltage(V)	AC100-240V		
Frequency	50/60Hz		
Input Voltage	AC85-265V		
Efficiency	82%	87%	87%
Total load wattage	10W±1W	20W±5%	27W±5%
Power Factor	0.9	0.9	0.9
Rated Input Current	0.12A	0.25A	0.35A
Full load output voltage	DC30-40V	DC30-40V	DC30-40V
Rated output current	230mA	500mA	650mA
Output current range	230mA±5%	500mA±5%	650mA±5%
Power tolerance	±5%		
Current output tolerance	±5%		
Short circuit protection	PASS		
Over voltage protection	PASS		
Over temperature protection	PASS		
THD	<20% @ 230V		
Surge	L-N 0.5KV / LN-PE 1KV	L-N 0.5KV / LN-PE 1KV	L-N 1KV / LN-PE 2KV
Withstand voltage	AC3750V		