



# Chain GCTL30-R

48VDC Round track  
lighting system

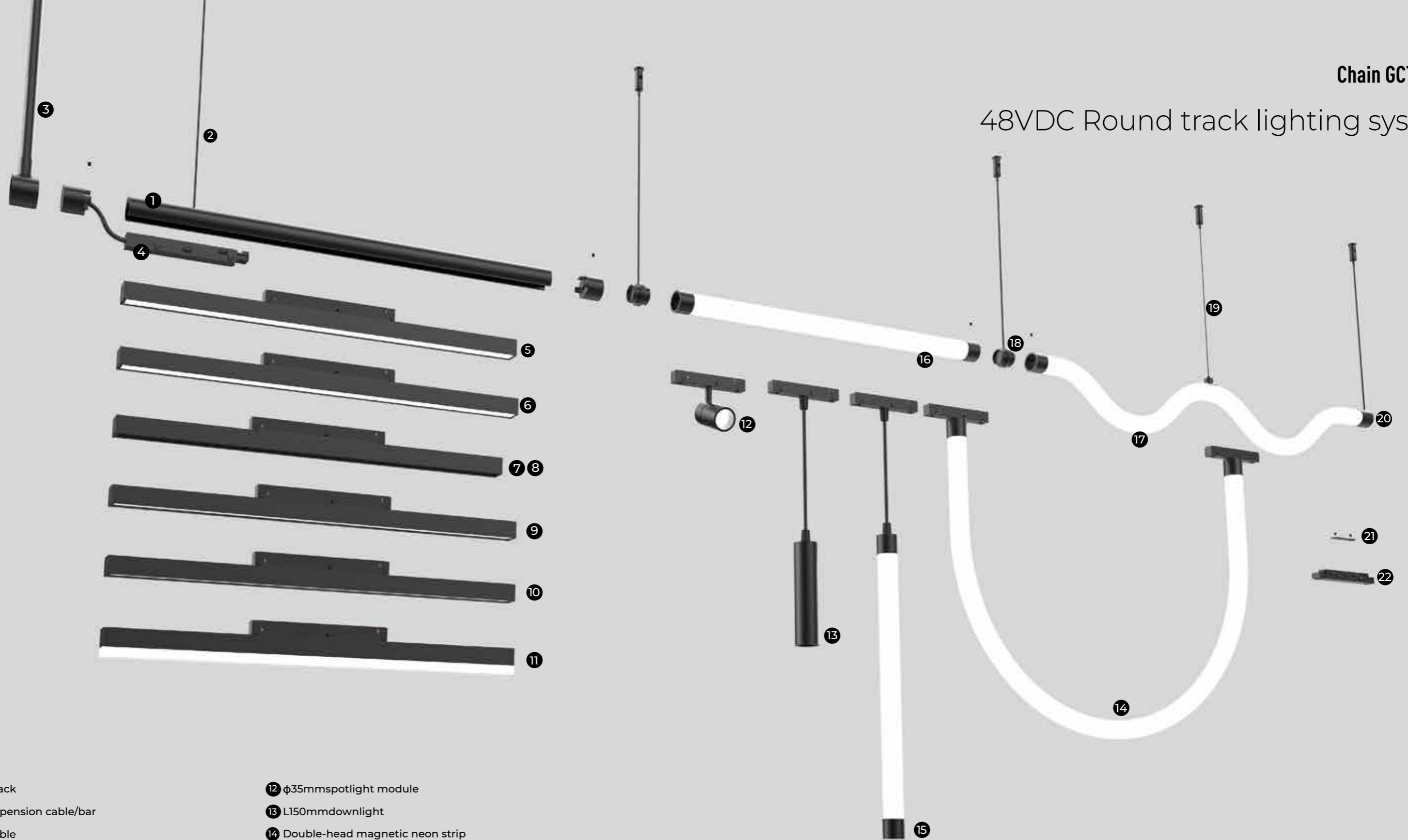


Round track lighting system is available as a suspended and surface-mounted version. The track can rotate horizontally, and the system also offers the option of different linear modules include diffuser, wallwash, in addition, spotlight, downlight and neon strip. These modules can be combined freely for different applications. At the same time, the track and the neon strip module can be creatively matched to achieve various rich stylings; The track system is operated with 48VDC, 30mm diameter, small and exquisite.

48VDC Round track lighting system

**Chain GCTL30-R**

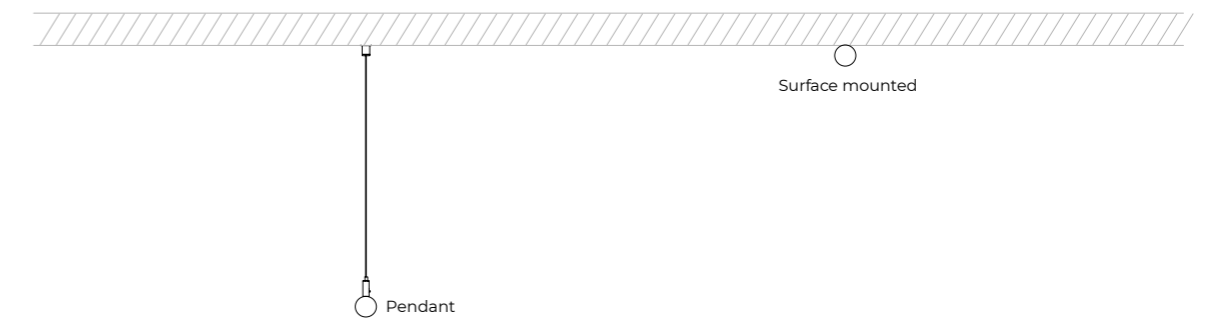
48VDC Round track lighting system



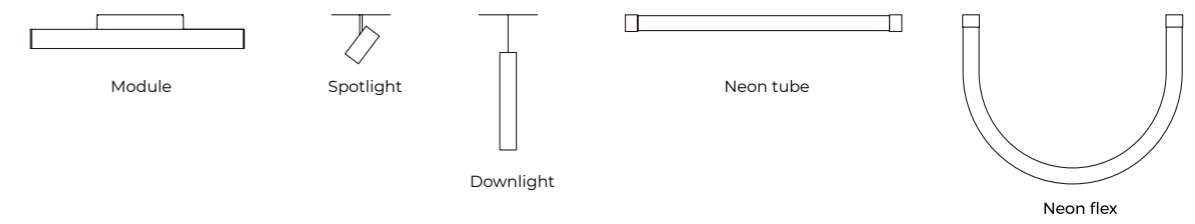
- ① Round track
- ② Track suspension cable/bar
- ③ Power cable
- ④ Track electrical connection
- ⑤ 500mm Magnetic track module (Diffuser)
- ⑥ 500mm Magnetic track module (Microprism)
- ⑦ 500mm Magnetic track module (Grating 30°)
- ⑧ 500mm Magnetic track module (Grating 60°)
- ⑨ 500mm Magnetic track module (Asymmetric)
- ⑩ 500mm Magnetic track module (Double Asymmetric)
- ⑪ 500mm Magnetic track module (Block frosted diffuser)
- ⑫  $\phi$ 35mm spotlight module
- ⑬ L150mmdownlight
- ⑭ Double-head magnetic neon strip
- ⑮ L500mm Suspension neon tube
- ⑯ Neon tube module
- ⑰ 360°lighting neon strip
- ⑱ Direct connector
- ⑲ Neon strip suspension cable/bar
- ⑳ End cap
- ㉑ 180°connection bar
- ㉒ I-type connector

LED LINEAR LIGHTING SOLUTION PROVIDER

## Installation



## Magnetic module



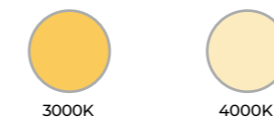
## Optics



## Finishes



## CCT



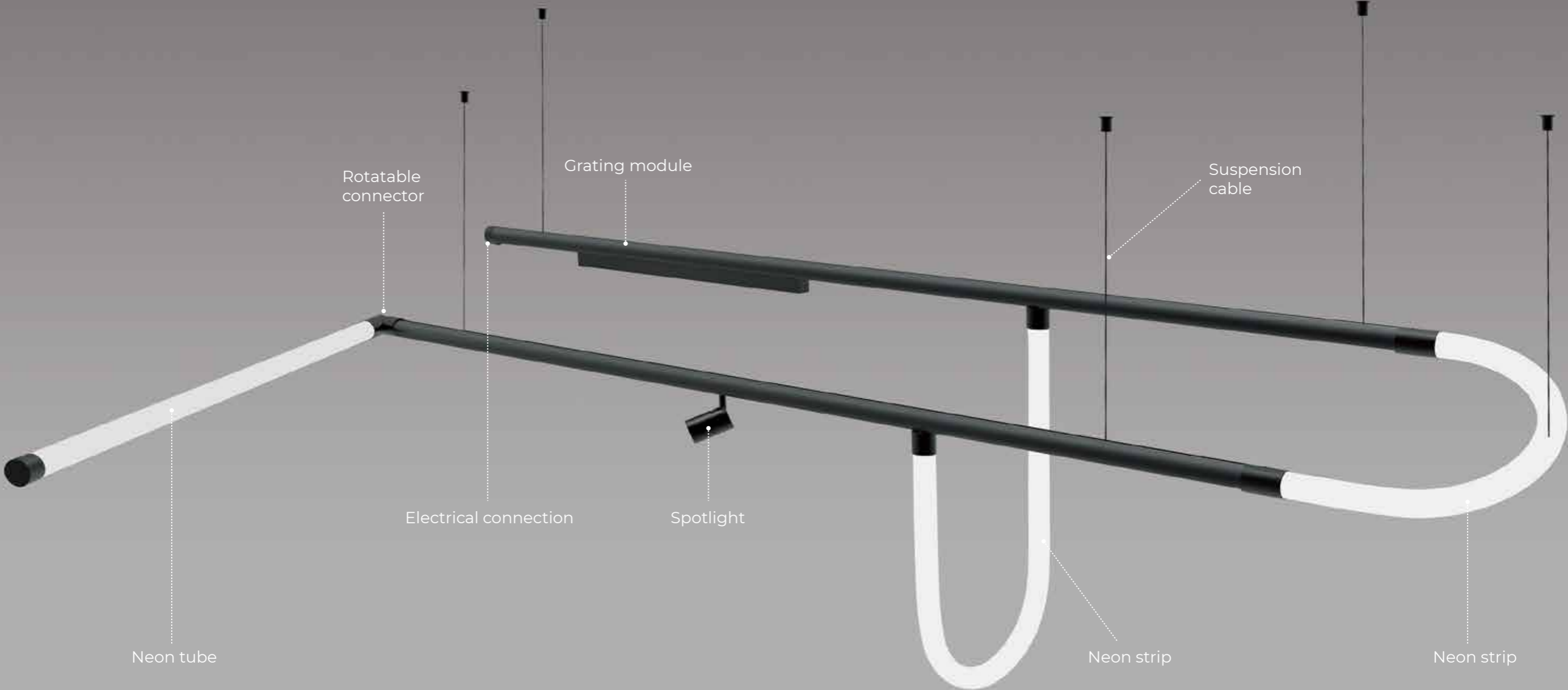
## Dimming

**ON/OFF**

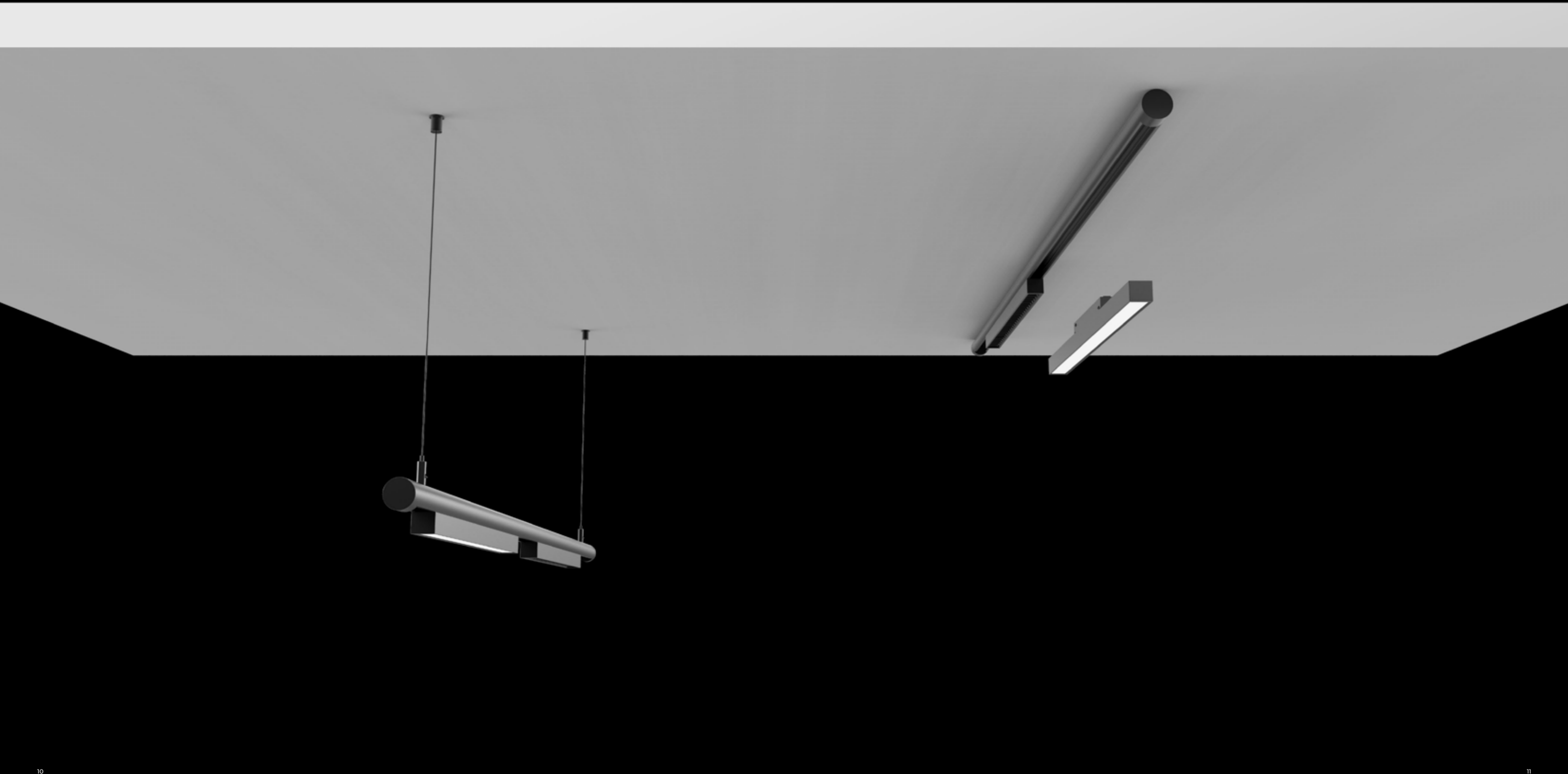
## Certifications

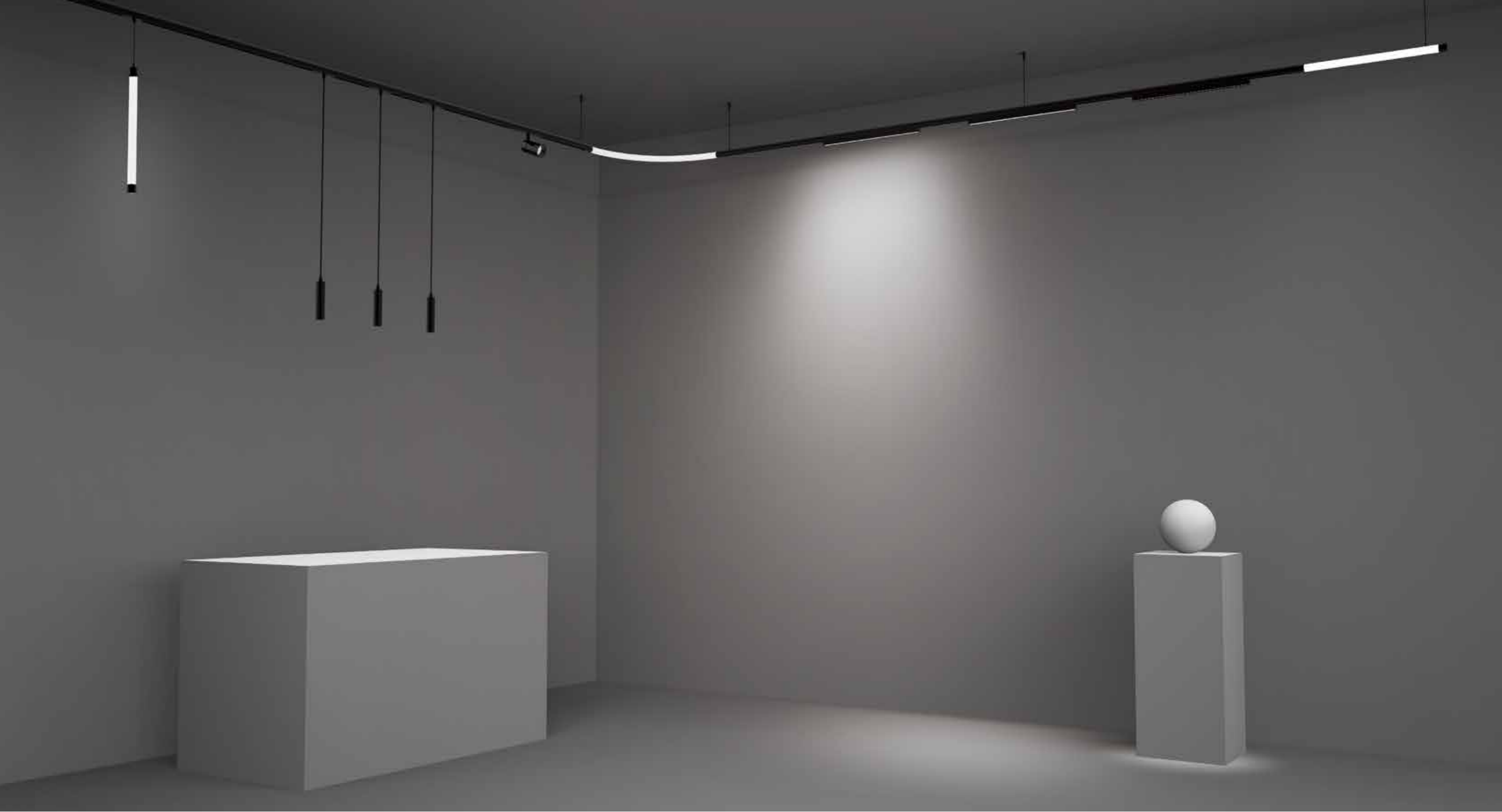


# Modular Solution



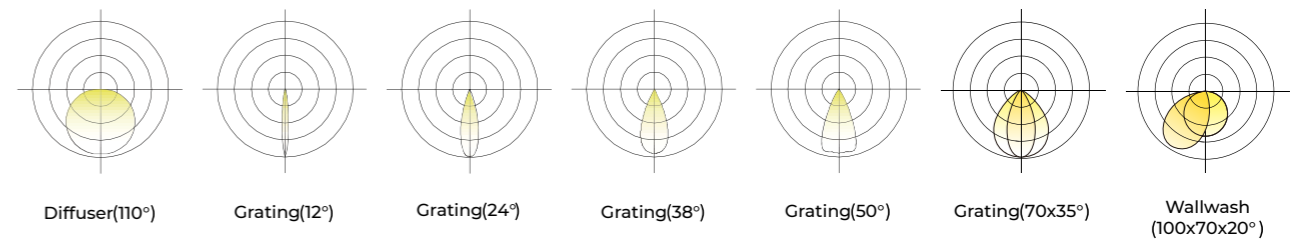
# Installation Instruction





## Multiple light distributions, more choices

Round track lighting system can achieve multiple light distributions, such as spot(16°), flood( 24°), wide flood( 34°), asymmetric(90° x 45° x 15°), double asymmetric( 100°x90°), diffuser(100°), microprism( 90°), block frosted diffuser(165°) etc.



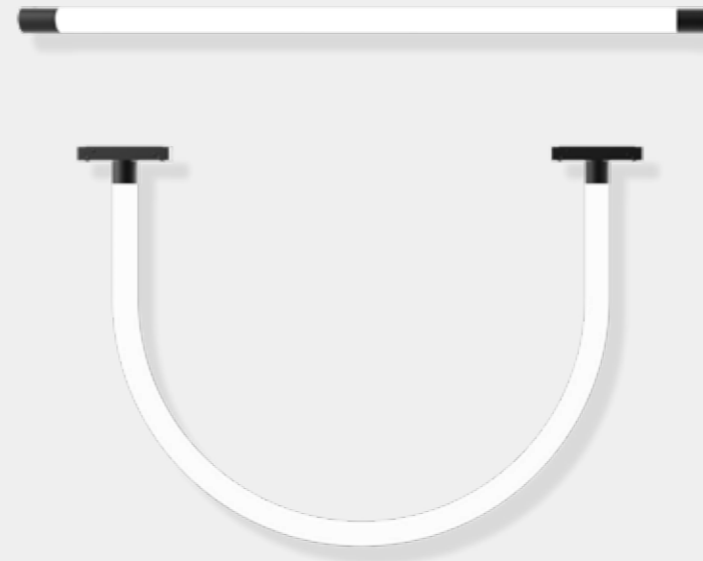
# Freely collocation, flexible application

Systematic solutions, round track system, neon strip module and neon hard tube module can be matched  
Freely for different needs of applications  
Rich accessories to meet various scenes and application needs

Round track



Neon strip



Neon rigid tube



Electrical connection



Connection

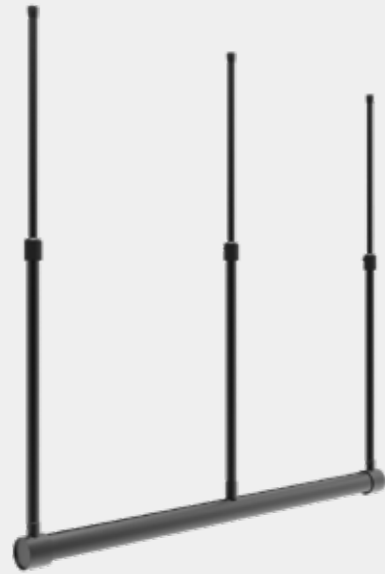


Installation



## Installation

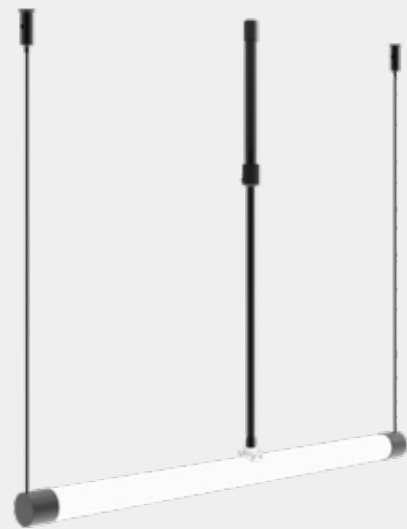
Suspension bar and suspension cable optional. The length of the suspension bar can be adjusted 1-2m according to the practical application.



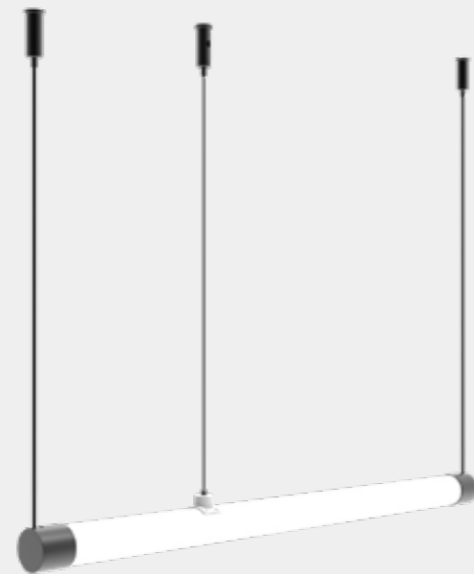
Track suspension bar



Track suspension cable



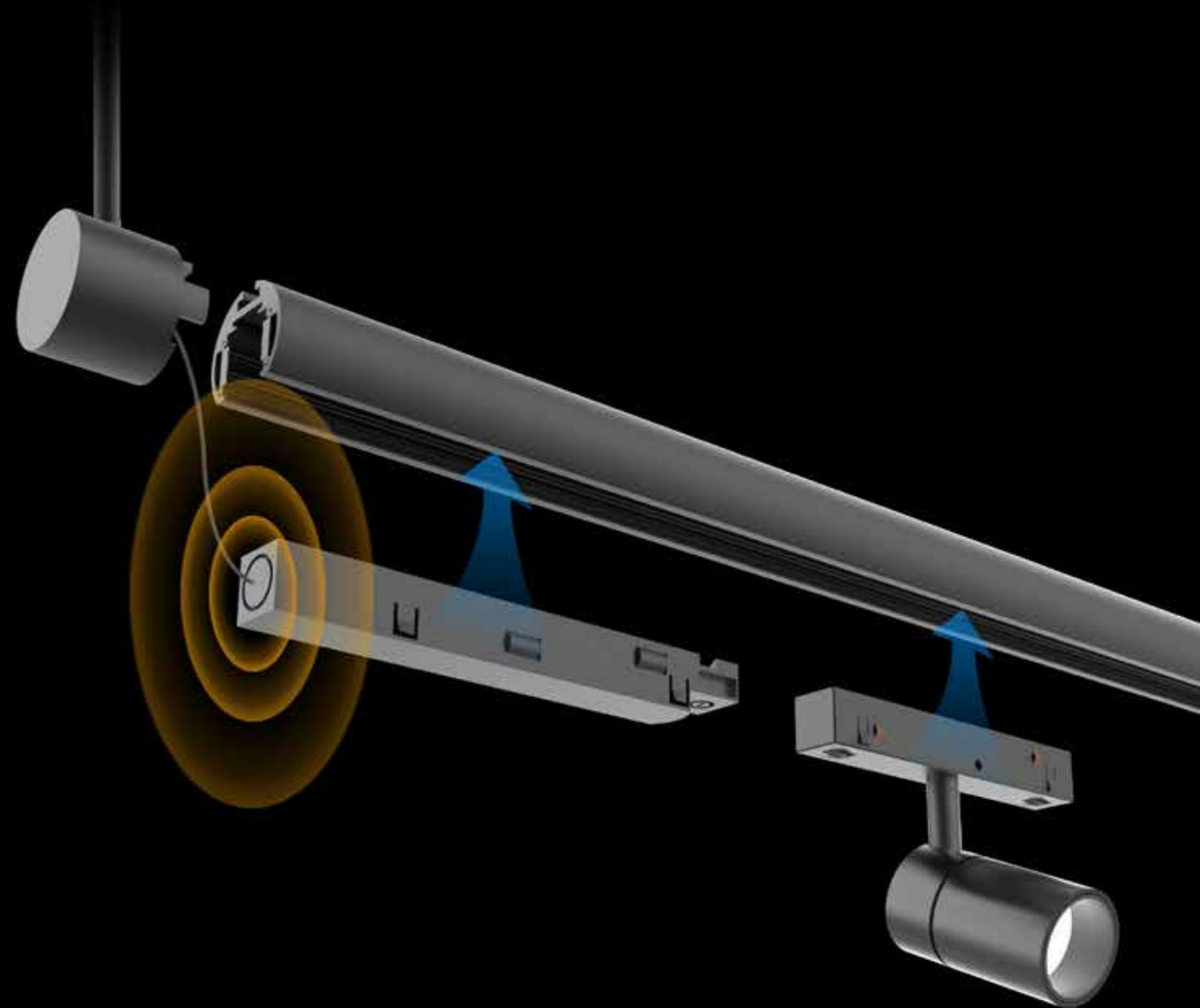
light suspension bar



light suspension Cable

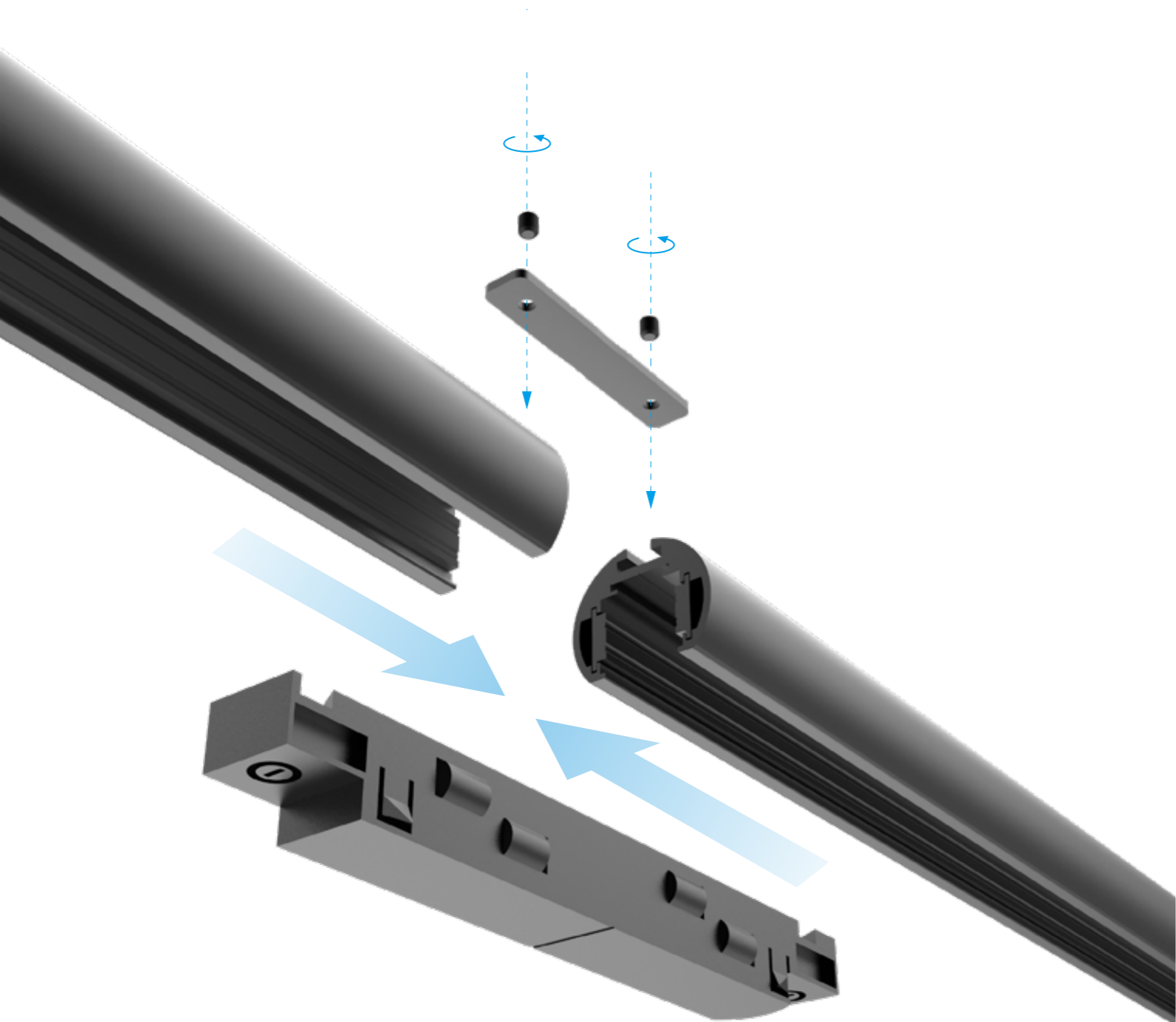
## Electrical connection

No soldering, plug and play.



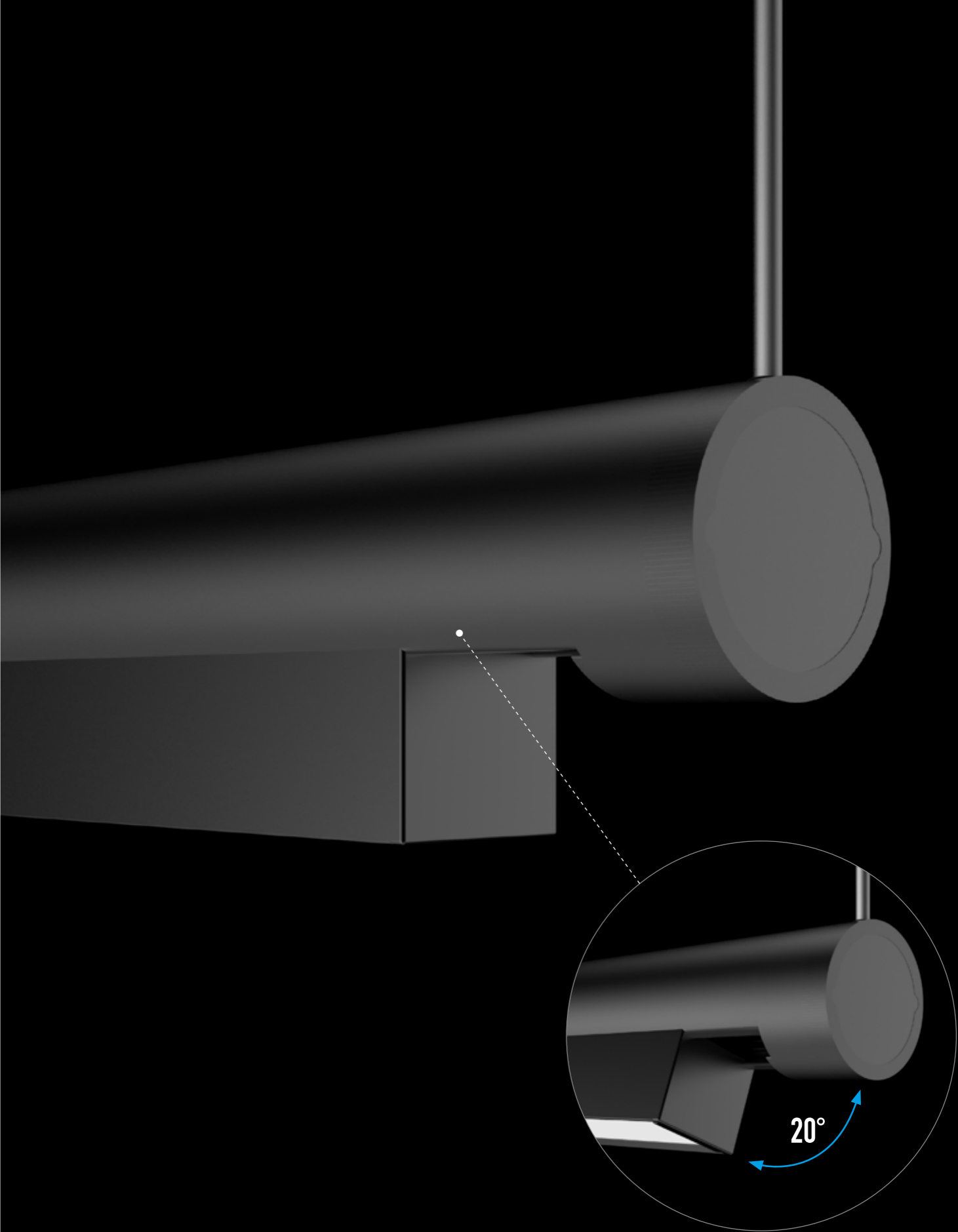
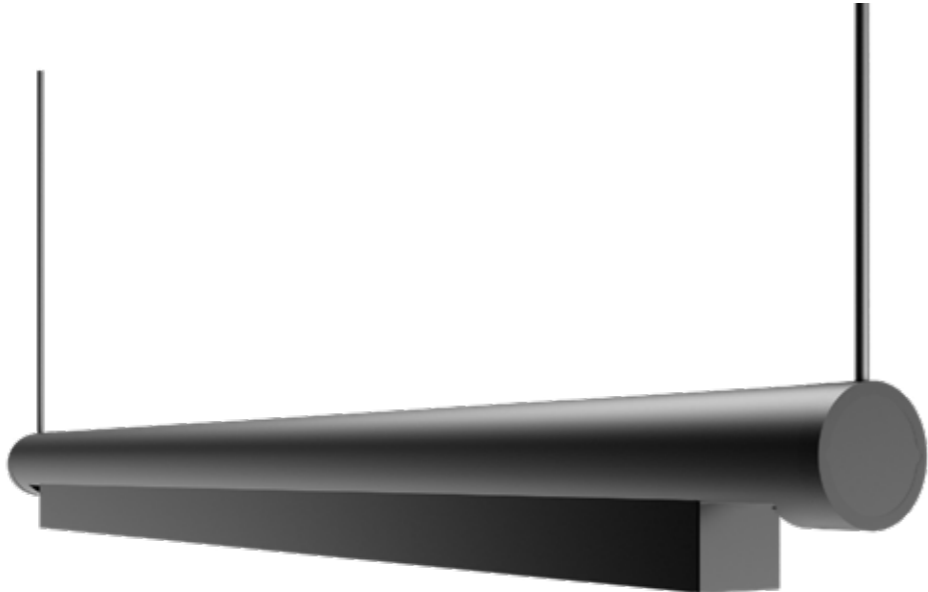
# Connection

The track connection is convenient and efficient.



# Rotate

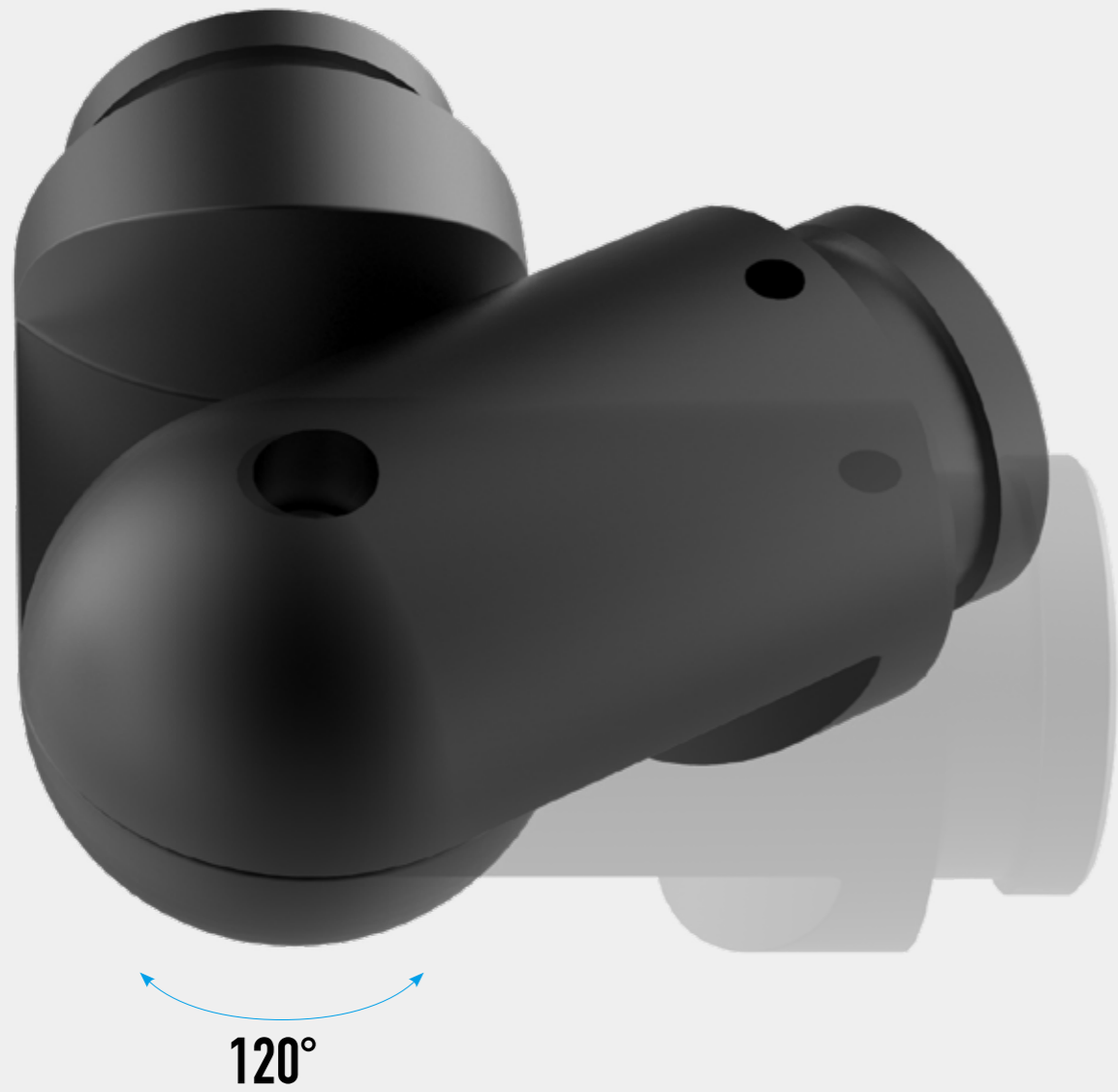
The track can achieve 0-20° rotation in the vertical direction



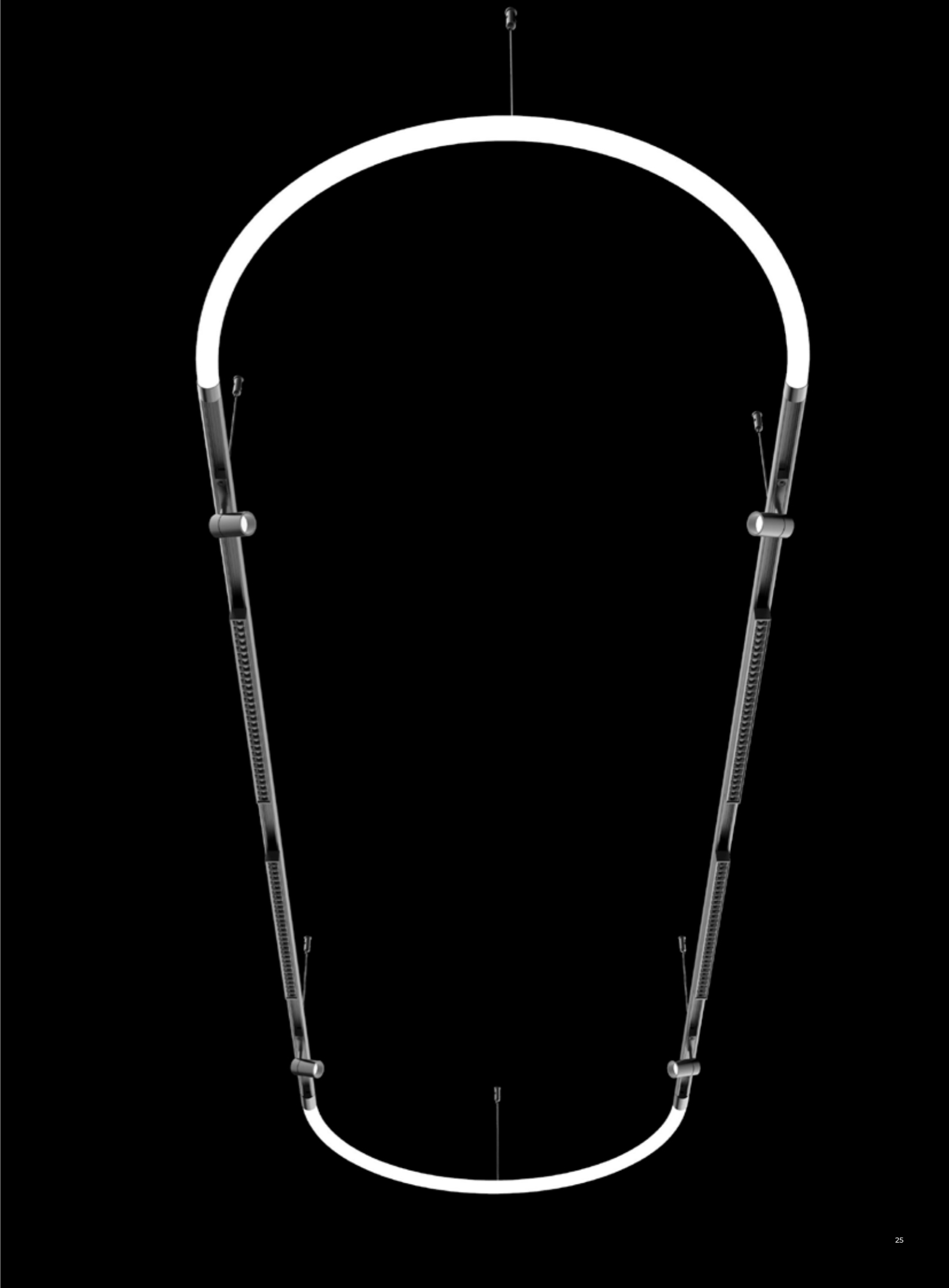
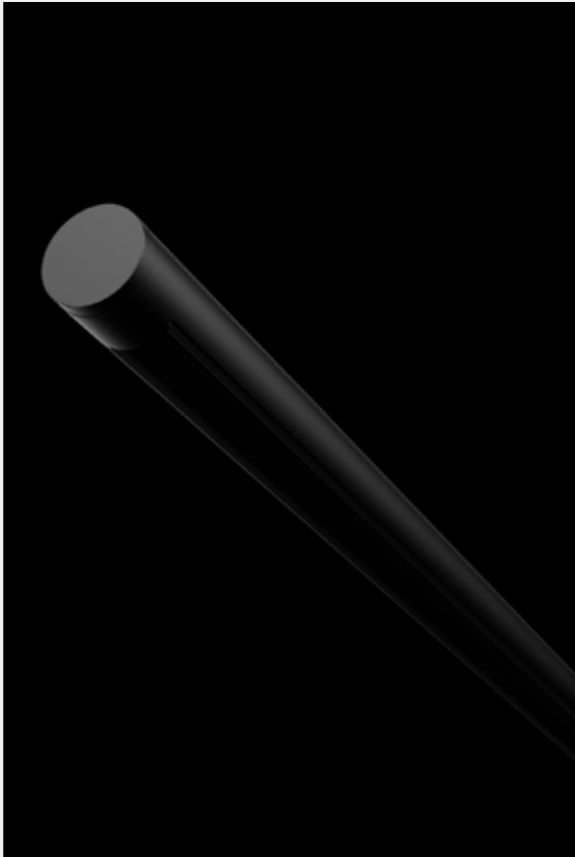
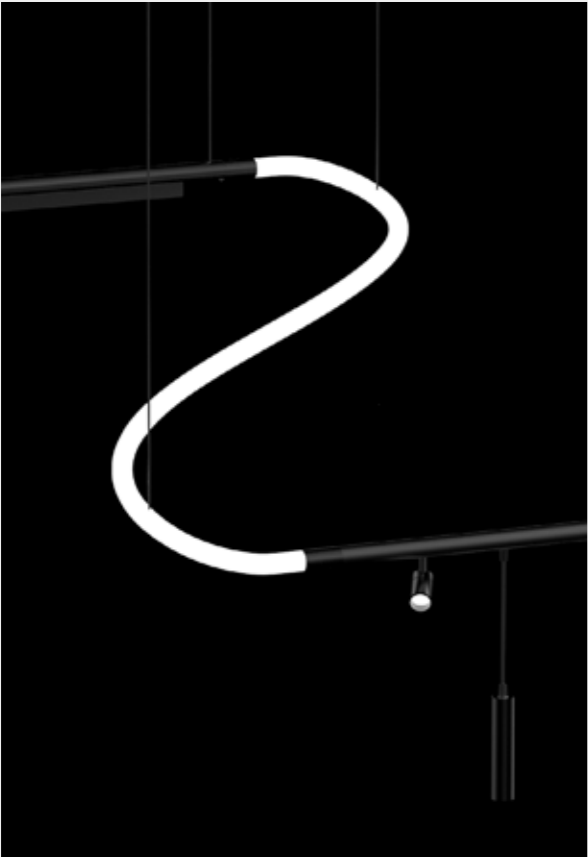
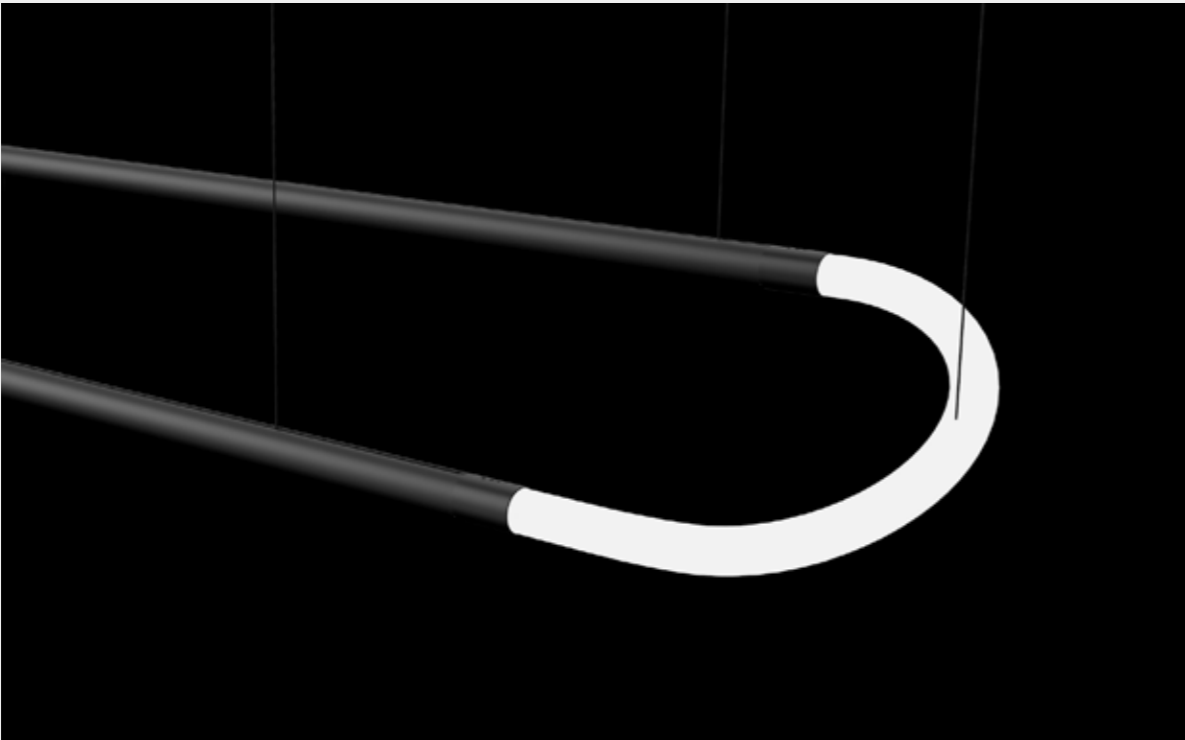
## Corner

---

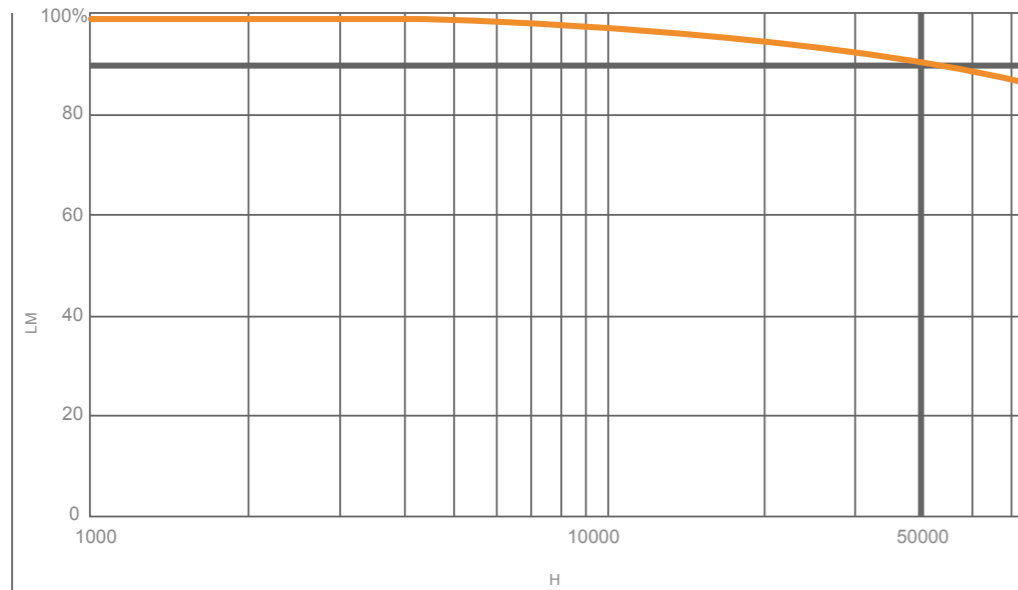
It can achieve 0-120° rotation



Small and delicate, a variety of modeling

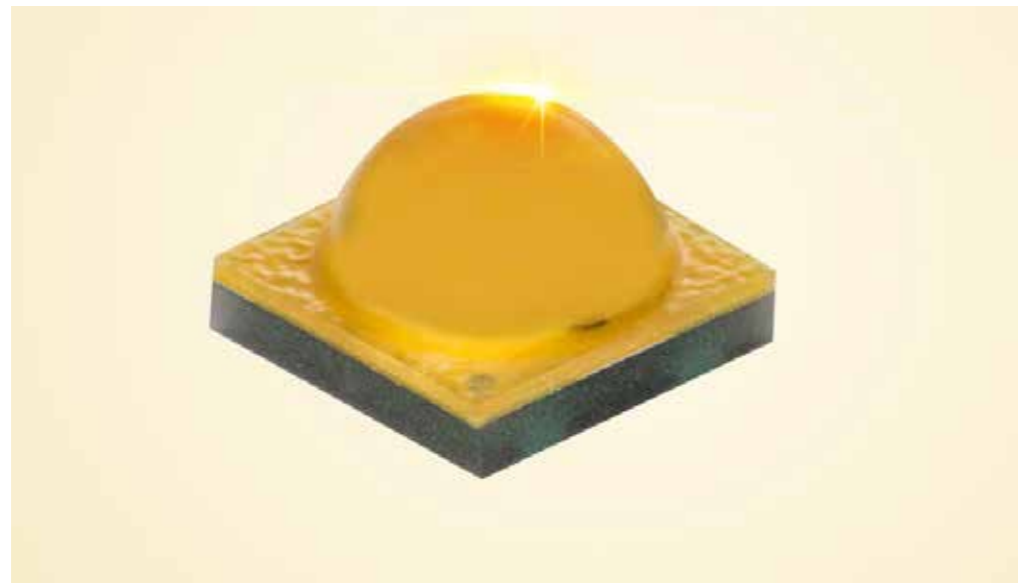


**Top light source with long life span features, high reliability**



**Ultra long life span, LM80 proved**

Excellent heat dissipation design ensures ultra Long life span(L90/B10>50000H) , 50000H lighting period of LED with the failure rate below 0.1%, ensures the luminaire high-quality and long lasting lighting

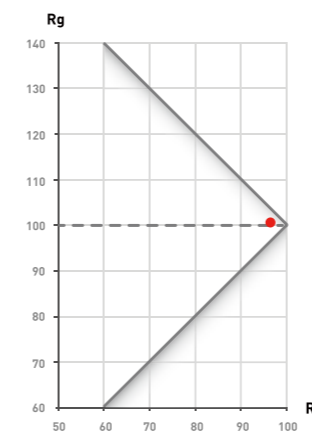


**Cree LEDs, as the LM80 proved light source features high lumen maintenance.**

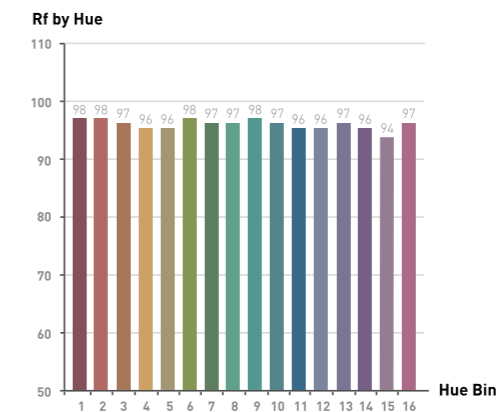
**High colour rendering**



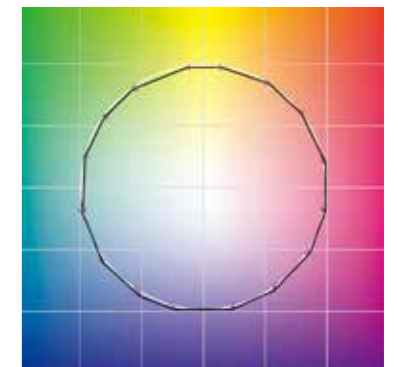
**High CRI, CRI90 customisable**



The closer the red dot to the triangle vertex, the better the colour.



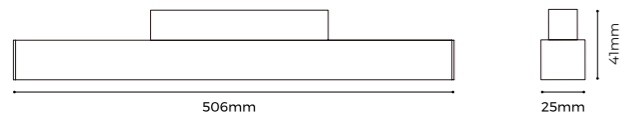
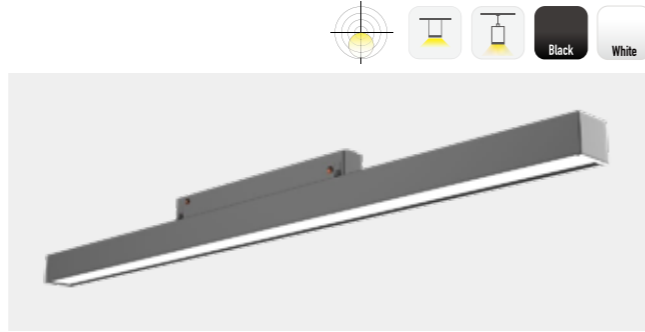
The closer the number of R1-R16 to 100, the better the colour.



The closer the shape combined with the black dots to the circle, the better the colour.

# GCTL-R25-FD

- Double magnet and spring piece installation convenient and reliable
- Greenlux LM80 certified light source, life > 50000h



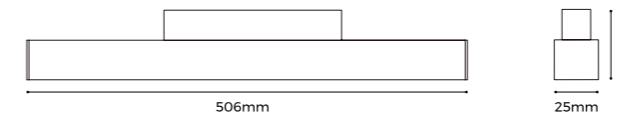
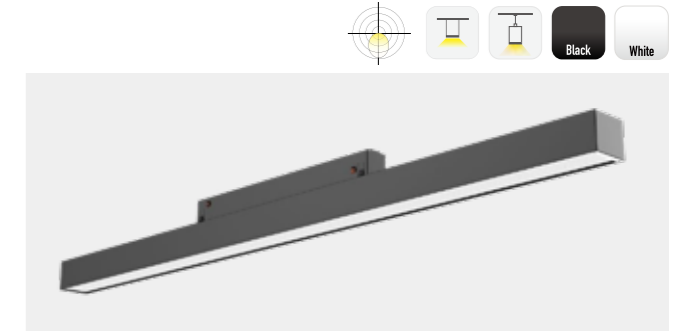
Luminaire Parameters	
Input voltage	48VDC
Typ.power	10W
Lumens	830LM
CCT	3000K/3500K/4000K
CRI	>80, >90
Beam angle	100°
Colour	Black ●
Certification	CE/ROHS, SAA

## Ordering Code

Category	Series	Section Size	Diffuser Shape	Diffuser Nature	Carrier Style	Profile Colour	End Cap Style	Length	Light Source Type	Type Power of Luminaire	CCT	CRI	Power Type	Package	Label Type
GCTL-R25-FD	Low Voltage Magnetic round track installation	R 25 Series 25	Flat	F	Diffuser D	No Carrier X	Black B	Holeless end cap S	500mm	Constant Voltage 48V H Rigid	20W/M 20	3000K WW >80 8	No Power X	Distribution Individual	D COLOURS C
											3500K PW >90 9				Customised S
											4000K NW				
GCTL		R 25	F		D X	B	S	500		H 20	NW 8		X		D C

# GCTL-R25-FP

- Double magnet and spring piece installation, convenient and reliable
- Greenlux LM80 certified light source, life > 50000h;
- Microprism anti glare design



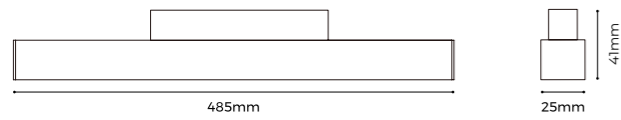
Luminaire Parameters	
Input voltage	48VDC
Typ.power	10W
Lumens	830LM
CCT	3000K/3500K/4000K
CRI	>80, >90
Beam angle	90°
Colour	Black ●
Certification	CE/ROHS, SAA

## Ordering Code

Category	Series	Section Size	Diffuser Shape	Diffuser Nature	Carrier Style	Profile Colour	End Cap Style	Length	Light Source Type	Type Power of Luminaire	CCT	CRI	Power Type	Package	Label Type
GCTL-R25-FP	Low Voltage Magnetic round track installation	R 25 Series 25	Flat	F	Microprism P	No Carrier X	Black B	Holeless end cap S	500mm	Constant Voltage 48V H Rigid	20W/M 20	3000K WW >80 8	No Power X	Distribution Individual	D COLOURS C
											3500K PW >90 9				Customised S
											4000K NW				
GCTL		R 25	F		P X	B	S	500		H 20	NW 8		X		D C

## GCTL-R25-G

- Grid 30°/60° light distribution
- Anti glare design UGR < 13
- Greenlux LM80 certified light source, life > 50000h



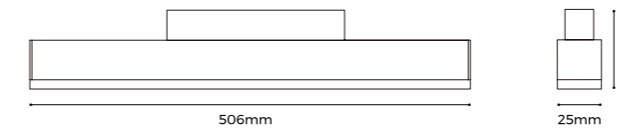
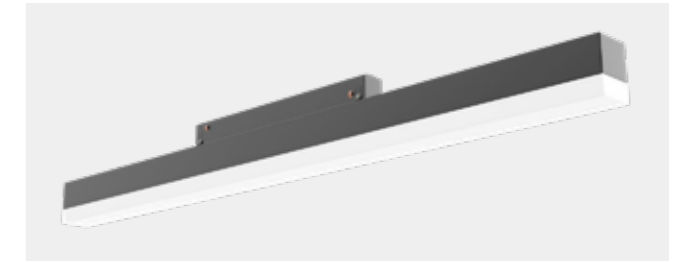
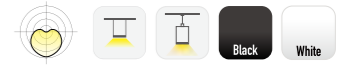
Luminaire Parameters	
Input voltage	48VDC
Typ.power	10W
Lumens	700LM/420LM
CCT	3000K/3500K/4000K
CRI	>80, >90
Beam angle	30° / 60°
Colour	Black ●
Certification	CE/ROHS, SAA

### Ordering Code

Category	Series	Section Size	Diffuser Shape	Diffuser Nature	Carrier Style	Profile Colour	End Cap Style	Length	Light Source Type	Type Power of Luminaire	CCT	CRI	Power Type	Package	Label Type		
GCTL-R25-G	Low Voltage Magnetic round track installation	R 25 Series 25	Grating G	30° F	No Carrier X	Black B	Holeless end cap S	500mm	Constant Voltage 48V Rigid H	16W/M 16	3000K WW	>80 8	No Power X	Distribution Individual D	COLOURS C		
				60° H							3500K PW	>90 9				Customised S	
											4000K NW						
GCTL		R	25	G	F	X	B	S	500		H	16	NW	8	X	D	C

## GCTL-R25-KD

- Block Frosted Diffuser, three-side lighting
- Greenlux LM80 certified light source, life > 50000h



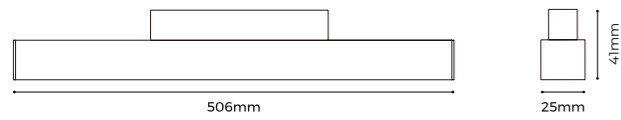
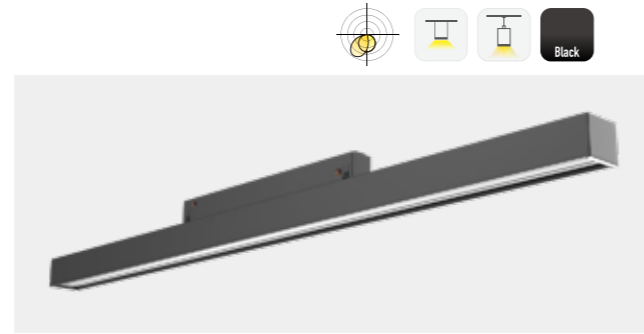
Luminaire Parameters	
Input voltage	48VDC
Typ.power	10W
Lumens	750LM
CCT	3000K/3500K/4000K
CRI	>80, >90
Beam angle	165°
Colour	Black ●
Certification	CE/ROHS, SAA

### Ordering Code

Category	Series	Section Size	Diffuser Shape	Diffuser Nature	Carrier Style	Profile Colour	End Cap Style	Length	Light Source Type	Type Power of Luminaire	CCT	CRI	Power Type	Package	Label Type		
GCTL-R25-KD	Low Voltage Magnetic round track installation	R 25 Series 25	Square K	Diffuser D	Carrier F	Black B	Holeless end cap S	500mm	Constant Voltage 48V Rigid H	20W/M 20	3000K WW	>80 8	No Power X	Distribution Individual D	COLOURS C		
												3500K PW				>90 9	Customised S
												4000K NW					
GCTL		R	25	K	D	F	B	S	500		H	20	NW	8	X	D	C

# GCTL-R25-LA

- Single polarized light design, acrylic material mask, provide excellent facade lighting effect
- Greenlux LM80 certified light source, life > 50000h



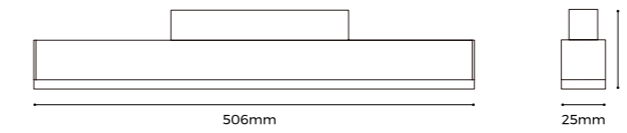
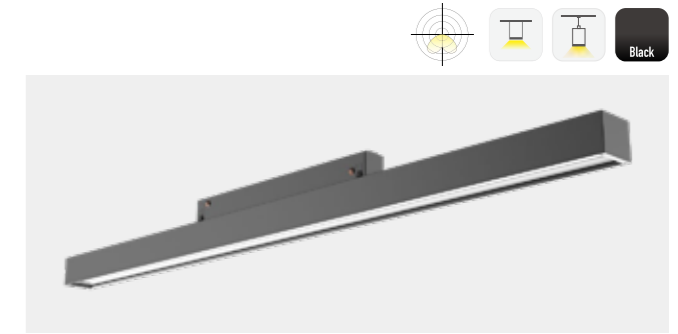
Luminaire Parameters	
Input voltage	48VDC
Typ.power	10W
Lumens	990LM
CCT	3000K/3500K/4000K
CRI	>80, >90
Beam angle	90° x 45° x 15°
Colour	Black ●
Certification	CE/ROHS, SAA

## Ordering Code

Category	Series	Section Size	Diffuser Shape	Diffuser Nature	Carrier Style	Profile Colour	End Cap Style	Length	Light Source Type	Type Power of Luminaire	CCT	CRI	Power Type	Package	Label Type
GCTL-R25-LA	Low Voltage Magnetic round track installation	R 25 Series 25	Lens L	Asymmetric A	Carrier F	Black B	Holeless end cap S	500mm	Constant Voltage 48V Rigid H	20W/M 20	3000K WW	>80 8	No Power X	Distribution Individual D	COLOURS C
											3500K PW	>90 9			Customised S
											4000K NW				
GCTL		R 25	L	A	F	B	S 500		H	20	NW	8	X	D	C

# GCTL-R25-LS

- Double polarized design, acrylic mask
- Greenlux LM80 certified light source, life > 50000h



Luminaire Parameters	
Input voltage	48VDC
Typ.power	10W
Lumens	980LM
CCT	3000K/3500K/4000K
CRI	>80, >90
Beam angle	100° x 90°
Colour	Black ●
Certification	CE/ROHS, SAA

## Ordering Code

Category	Series	Section Size	Diffuser Shape	Diffuser Nature	Carrier Style	Profile Colour	End Cap Style	Length	Light Source Type	Type Power of Luminaire	CCT	CRI	Power Type	Package	Label Type
GCTL-R25-LS	Low Voltage Magnetic round track installation	R 25 Series 25	lens L	Double asymmetric S	Carrier F	Black B	Holeless end cap S	500mm	Constant Voltage 48V Rigid H	20W/M 20	3000K WW	>80 8	No Power X	Distribution Individual D	COLOURS C
											3500K PW	>90 9			Customised S
											4000K NW				
GCTL		R 25	L	S	F	B	S 500		H	20	NW	8	X	D	C

# GCTL-R35S

- 16°, 24° and 34° beam angles are optional
- Imported light source, excellent light quality
- High quality aluminum surface treatment process, delicate and compact



Luminaire Parameters	
Input voltage	48VDC
Typ.power	6W
Lumens	550LM
CCT	3000K/3500K/4000K
CRI	>90
Beam angle	16°、24°、34°
Colour	Black ●
Certification	CE/ROHS, SAA

## Ordering Code

Category	Series	Section Size	Diffuser Shape	Diffuser Nature	Carrier Style	Profile Colour	End Cap Style	Length	Light Source Type	Type Power of Luminaire	CCT	CRI	Power Type	Package	Label Type	
GCTL-R35S	Low Voltage Magnetic round track installation	R 35 Series 35	Spotlight S	16°	E No Carrier X	Black B	Holeless end cap S	35WA	Constant Current Rigid T	6W 6	3000K WW	>90 9	No Power X	Distribution Individual D	COLOURS C	
				24°	F						3500K PW					Customised S
				34°	G						4000K NW					
GCTL	-	R	35	S	F	X	B	S 35WA	T	6	NW	9	X	D	C	

# GCTL-R35I

- Imported light source, excellent light quality
- High quality aluminum surface treatment process, delicate and compact



Luminaire Parameters	
Input voltage	48VDC
Typ.power	6W
Lumens	550LM
CCT	3000K/3500K/4000K
CRI	>90
Beam angle	24°
Colour	Black ●
Certification	CE/ROHS, SAA

## Ordering Code

Category	Series	Section Size	Diffuser Shape	Diffuser Nature	Carrier Style	Profile Colour	End Cap Style	Length	Light Source Type	Type Power of Luminaire	CCT	CRI	Power Type	Package	Label Type	
GCTL-R35I	Low Voltage Magnetic round track installation	R 35 Series 35	Downlight I	24°	F No Carrier X	Black B	Holeless end cap S	35L06	Constant Current Rigid T	6W 6	3000K WW	>90 9	No Power X	Distribution Individual D	COLOURS C	
											3500K PW					Customised S
											4000K NW					
GCTL	-	R	35	I	F	X	B	S 35L06	T	6	NW	9	X	D	C	

# GCTL-R30-RN-MJ

- 360° full luminous neon tube
- Provide basic lighting and decorative lighting



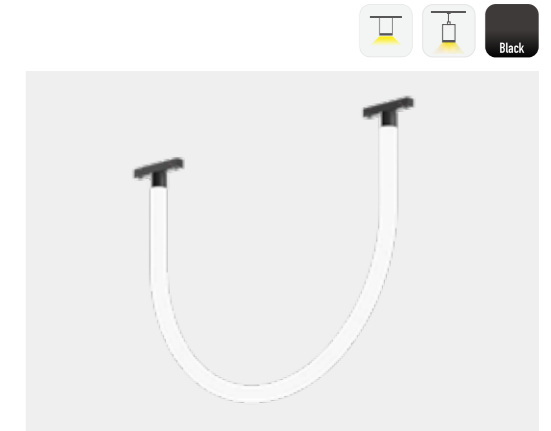
Luminaire Parameters	
Input voltage	48VDC
Typ.power	14W
Lumens	460LM
CCT	3000K/3500K/4000K
CRI	>90
Beam angle	/
Colour	Black ●
Certification	CE/ROHS, SAA

## Ordering Code

Category	Series	Section Size	Diffuser Shape	Diffuser Nature	Carrier Style	Profile Colour	End Cap Style	Length	Light Source Type	Type Power of Luminaire	CCT	CRI	Power Type	Package	Label Type	
GCTL-R30-RN-MJ	Low Voltage Magnetic round track Installation	R NR30 NR30	Electrical connection M	Neon Rigid Tube J	No Carrier X	Black B	Holeless end cap S	500mm	Constant Voltage 48V Flexible strip I	14W/M 14	3000K WW	>90 9	No Power X	Distribution Individual D	COLOURS C	
											3500K PW				Customised S	
											4000K NW					
GCTL		R	NR30	M	J	X	B	S	500	I	14	NW	9	X	D	C

# GCTL-R30-RN-MK

- 360° full luminous neon tube
- Provide basic lighting and decorative lighting



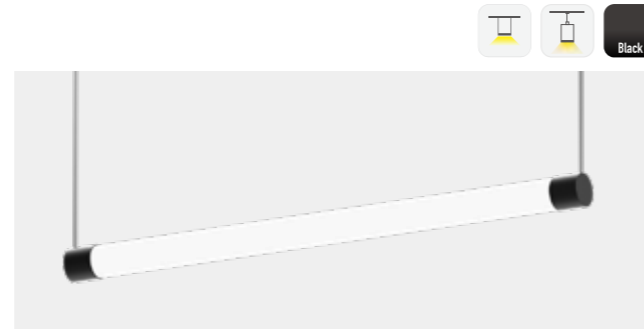
Luminaire Parameters	
Input voltage	48VDC
Typ.power	14W/35W/70W
Lumens	960LM/2380LM/4770LM
CCT	3000K/3500K/4000K
CRI	>90
Beam angle	/
Colour	Black ●
Certification	CE/ROHS, SAA

## Ordering Code

Category	Series	Section Size	Diffuser Shape	Diffuser Nature	Carrier Style	Profile Colour	End Cap Style	Length	Light Source Type	Type Power of Luminaire	CCT	CRI	Power Type	Package	Label Type	
GCTL-R30-RN-MK	Low Voltage Magnetic round track Installation	R NR30 NR30	Electrical connection M	Neon strip K	No Carrier X	Black B	Holeless end cap S	1000mm 1000	Constant Voltage 48V Flexible strip I	14W/M 14	3000K WW	>90 9	No Power X	Distribution Individual D	COLOURS C	
								2500mm 2500			3500K PW				Customised S	
								5000mm 5000			4000K NW					
GCTL		R	NR30	M	K	X	B	S	1000	I	14	NW	9	X	D	C

# GCTL-R30-RN-NJ

- 360° full luminous neon tube
- Provide basic lighting and decorative lighting



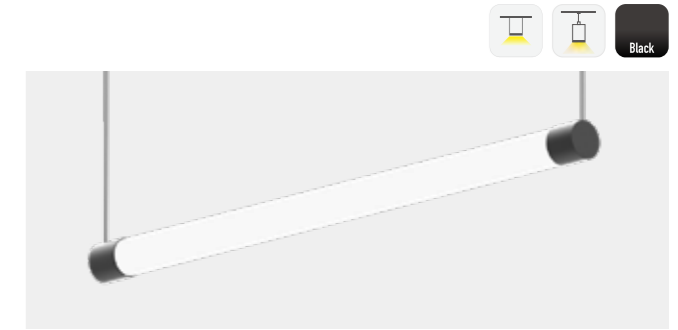
Luminaire Parameters	
Input voltage	48VDC
Typ.power	14W/35W
Lumens	940LM/2340LM
CCT	3000K/3500K/4000K
CRI	>90
Beam angle	360°
Colour	Black ●
Certification	CE/ROHS, SAA

## Ordering Code

Category	Series	Section Size	Diffuser Shape	Diffuser Nature	Carrier Style	Profile Colour	End Cap Style	Length	Light Source Type	Type Power of Luminaire	CCT	CRI	Power Type	Package	Label Type	
GCTL-R30-RN-NJ	Low Voltage Magnetic round track installation	R NR30 NR30	Magnetic (Female)	N Neon Rigid Tube	J No Carrier	X Black	B Holeless end cap	S 1000mm 2500mm	I Constant Voltage 48V Flexible strip	14W/M 14	3000K WW	>90 9	No Power X	Distribution Individual	D COLOURS C	
											3500K PW				Customised S	
											4000K NW					
GCTL		R	NR30	N	J	X	B	S	1000	I	14	NW	9	X	D	C

# GCTL-R30-RN-NK

- 360° full luminous neon tube
- Provide basic lighting and decorative lighting



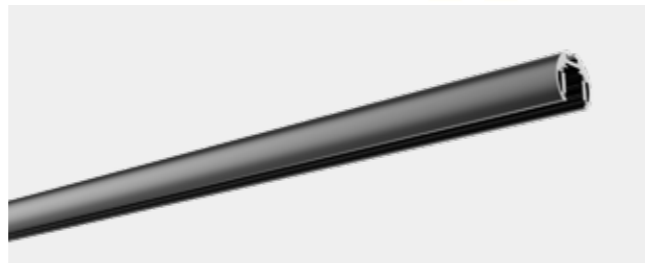
Luminaire Parameters	
Input voltage	48VDC
Typ.power	14W/35W/70W
Lumens	960LM/2380LM/4770LM
CCT	3000K/3500K/4000K
CRI	>90
Beam angle	360°
Colour	Black ●
Certification	CE/ROHS, SAA

## Ordering Code








Category	Series	Section Size	Diffuser Shape	Diffuser Nature	Carrier Style	Profile Colour	End Cap Style	Length	Light Source Type	Type Power of Luminaire	CCT	CRI	Power Type	Package	Label Type	
GCTL-R30-RN-NK	Low Voltage Magnetic round track installation	R NR30 NR30	Magnetic (Female)	N Neon strip	K No Carrier	X Black	B Holeless end cap	S 1000mm 2500mm 5000mm	I Constant Voltage 48V Flexible strip	14W/M 14	3000K WW	>90 9	No Power X	Distribution Individual	D COLOURS C	
											3500K PW				Customised S	
											4000K NW					
GCTL		R	NR30	N	K	X	B	S	1000	I	14	NW	9	X	D	C

# GCTL-R-Type Track




- It can realise 48VDC power supply
- In two installation modes of suspension rope and suspender
- The orbit can rotate vertically  $\pm 20$  degrees

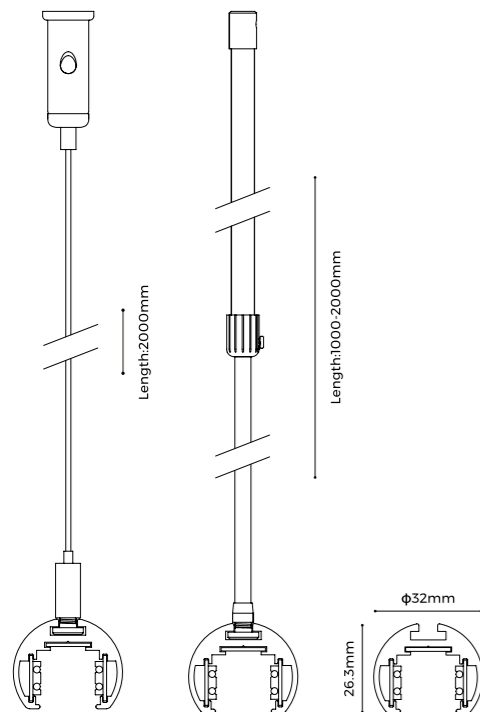


Product parameters	
Installation	Suspended / Surface mounted
Input voltage	48VDC
Max load power	500W
Length of track	1m GCTLS-R610-B 2m GCTLS-R620-B 3m GCTLS-R630-B
Appearance	Black ●
Certification	CE/RoHS

Installation Accessories	
Pendant cable (Track)	GCPN-SA2 
Pendant Boom (Track)	GCTLS-R891-B 
endant cable (Nion)	GCTLS-R892 
Pendant boom (Nion)	GCTLS-R893-B 
Power feeder unit of track	GCTLS-R862-B 
End cap	GCTLS-R600A-B 
Endcap(Without Sewing device)	GCTLS-R600B-B 

Interconnection Accessories	
Turned connector	GCTLS-R860A-B 
Turned connector (Without Sewing device)	GCTLS-R860B-B 
Straight connector	GCTLS-R861A-B 
Straight connector (Without Sewing device)	GCTLS-R861B-B 
I-type electrical connector	GCTLS-R863-B 
180°extender	GCEX-E1-S 

Power supply	
100W Power supply	GCMW-V48-100S 
200W Power supply	GCMW-V48-200S 
350W Power supply	GCMW-V48-350S 



# Applications









## Greenlux Lighting

37 Chelmsford Street, Williamstown North  
VIC 3016 Australia

Ph: 1300 650 625 or +61 3 8560 2895

Email: [enquiries@greenlux.com.au](mailto:enquiries@greenlux.com.au)

Website: [www.greenlux.com.au](http://www.greenlux.com.au)