

Opal GL-T Series

LED Troffer Light



Introduction



This new LED troffer light adopts secondary optical designed and special treatment diffuser, to achieve more uniform and softer light, and provides more comfortable visual experience to the users. Luminous efficiency 105lm/W. Powder spraying surface treatment is employed in the lamp fixture which makes the lamp corrosion resistant. Designed for grid ceiling commercial applications.

Features

- Up to 80% energy saving compared to standard CFL.
- Long lifetime of 50,000 hours.
- 120° wide beam angle.
- Slide switch for inter changeable CCT(3000K, 4000K, 5700K).
- No UV/IR light.
- Environment friendly, without Mercury or any other hazardous substances.

Application Areas

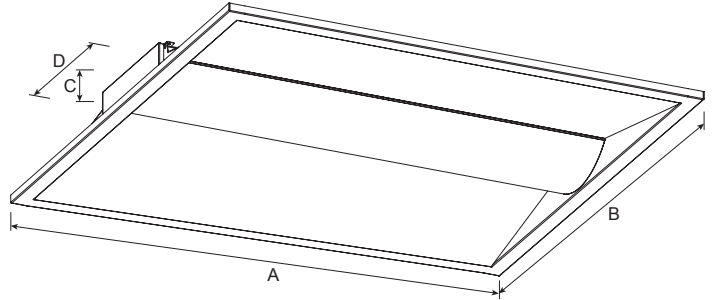
Office & school lighting: office room, meeting room, class room etc. Commercial lighting: shopping mall, super market, retailer shops etc. Other situations: hospital, laboratory, dust-free workshop etc.



**PF 0.9****CRI ≥80****CRI ≥90****SAA**

Measurement

Model	Dimension(mm)				Size(mm)	Product Weight (Kg)	
	A	B	C	D		N.W/PC	G.W/PC
6060	595	595	54	140	595*595*54	2.5	3.23
1230	1195	295	54	107	1195*295*54	2.7	3.37



Technical Data Sheet

Model No.			GUOPA-33W-6060-T	GUOPA-33W-1230-T
Watt(W)			33W	33W
Dimension(mm)			595*595*54	1195*295*54
Rated Input Voltage(V)			AC230V	
Input Voltage(V)			AC220-240V	
LED			SMD	
SDCM			≤6	
CCT(K)			1-CCT: 3000K / 4000K / 5000K / 5700K 3-CCT: 3000K+4000K+5700K	
"Luminous Flux (lm) ±5%	1-CCT	Non-DIM	3100~3800	3100~3800
		DIM	3000~3700	3000~3700
	3-CCT	Non-DIM	3100~3850	3100~3850
		DIM	3000~3750	3000~3750
CRI			≥80 (≥ 90 Optional)	
Beam Angle (°)			120°	
LED Driver			Built-out	
CCT Selection Switch			Yes	
Protection Class			Class II	
IP Rating			IP20	
Finishing color			White RAL 9016	
Material			PC / Iron	
Lifetime (hr)			50,000h	
Glow wire test (°C)			750°C	
Operating Temp.(°C)			-20°C ~45°C	
Storage Temp.(°C)			-20°C ~65°C	
Installation			Recessed	
Brand Driver option			-	



Driver Datasheet (Non-Dimmable)

Power	33W
Rated Input Voltage(V)	AC230V
Frequency	50/60Hz
Input Voltage	AC220-240V
Efficiency	85%
Total load wattage	33W±5%
Power Factor	0.9
Rated Input Current	0.19A
Full load output voltage	DC28-40V
Rated output current	850mA
Output current range	850mA±5%
Power tolerance	±5%
Current output tolerance	±5%
Short circuit protection	PASS
Over voltage protection	PASS
Over temperature protection	PASS
THD	<20% @ 230VAC
Surge	L-N 1KV
Withstand voltage	AC3750V

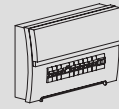
Driver Datasheet (Triac Dimmable)

Power	33W
Rated Input Voltage(V)	AC230V
Frequency	50Hz
Input Voltage	AC200-240V
Efficiency	≥85%
Total load wattage	33W±5%
Power Factor	0.9
Rated Input Current	≤0.2A
Full load output voltage	DC23-40V
Rated output current	800mA
Output current range	800mA±5%
Power tolerance	±5%
Current output tolerance	±5%
Dimming Range	8%-100%
Short circuit protection	PASS
Over voltage protection	PASS
Over temperature protection	PASS
THD	<20% @ 230V
Surge	L-N 1KV
Withstand voltage	AC3750V

Installation Procedure

WARNING ⚡

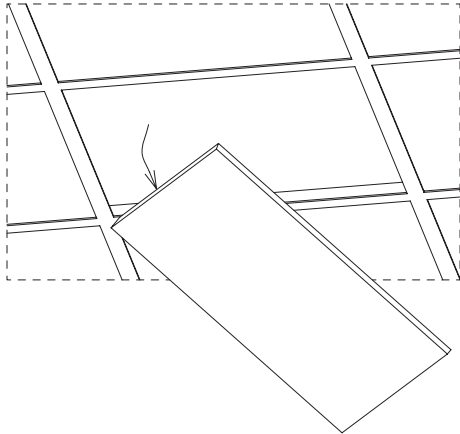
1. Switch off power supply before installation / maintenance.
2. Switch on after completing installation and examination of the circuit.
3. The troffer light must be installed and maintained by professional electrician.



Turn Off
Power Supply

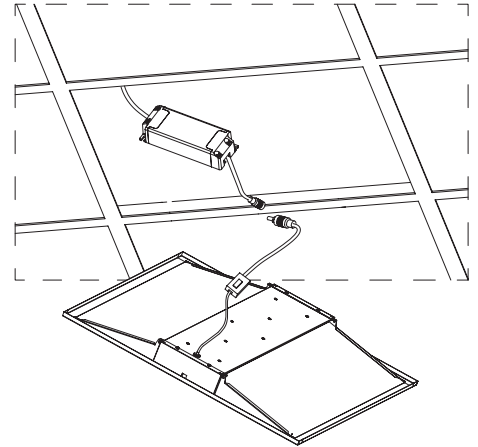
Turn off power supply before installation. Read instructions and make sure you have all the tools and accessories before installation.

Step 1



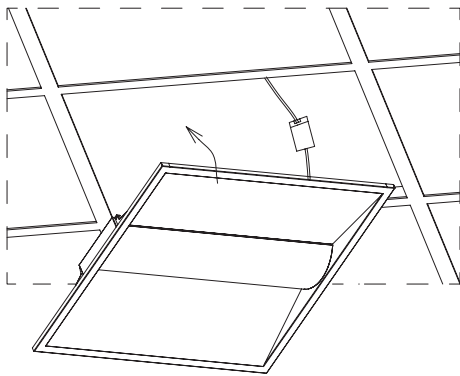
Remove ceiling plaster slab.

Step 2



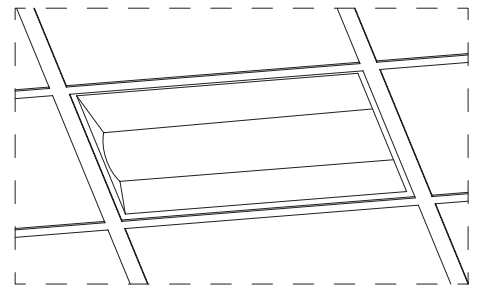
Connect power cable.

Step 3



Fix the troffer light into the right place.

Step 4



Stabilise the troffer light, installation complete.