

Tubo Semi 70R

10W Tubo Semi Downlight

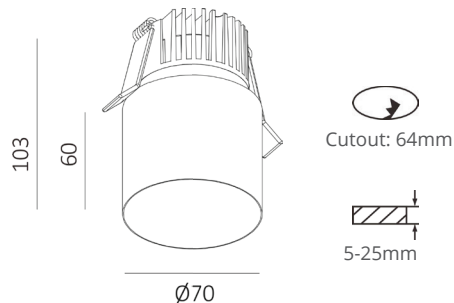
Model: GVTUB-10W-70R

Product Features

- Low UGR Design



Diagram



Light Distribution

3000K medium 23°

h(m)	E(lx)	Ø(m)
1	2353	Ø0.40
2	588.2	Ø0.81
3	261.4	Ø1.22
4	147.0	Ø1.63
5	94.11	Ø2.03

Photometric 3000K 24D Ra.90

Specification

Technical Data

Light source: Citizen CLU028
 System wattage: 10W (230mA, 36V)
 Lumen flux: 680lm (10W, 24D, 3000K, Ra.90)
 Colour temperature: 2700K, 3000K, 4000K
 Colour rendering index: Ra≥90
 Chromaticity rate: 3 MacAdam
 Beam angle: 24D, 36D, Reflector Type
 Service lifetime: 50,000hrs, L70
 Ingress protection: IP54 Installed
 Operation voltage: 220-240Vac, 50/60Hz
 Operation temperature: -20~40D
 Protection class: III
 Mounting: Ceiling Recessed, spring type

Lighting control

Tridonic non-dim, ECG standard
 Actec triac dim
 0-10V, Dali dimming upon request

Finish

White RAL9003, Gloss 5
 Black RAL9005, Gloss 5

Material

Aluminum

Warranty

3 years for residential
 5 years for commercial