

# Circus Series 01

LED Dimmable Pendant Light

( Suspension / Surface Mounted )



## Description

- Surface Mounted & Suspension.
- 120° wide beam angle.
- Simple, elegant design.

## Finish

Black / White

## Material

Aluminium Housing



SAA

IES

TUV



RoHS

LM80

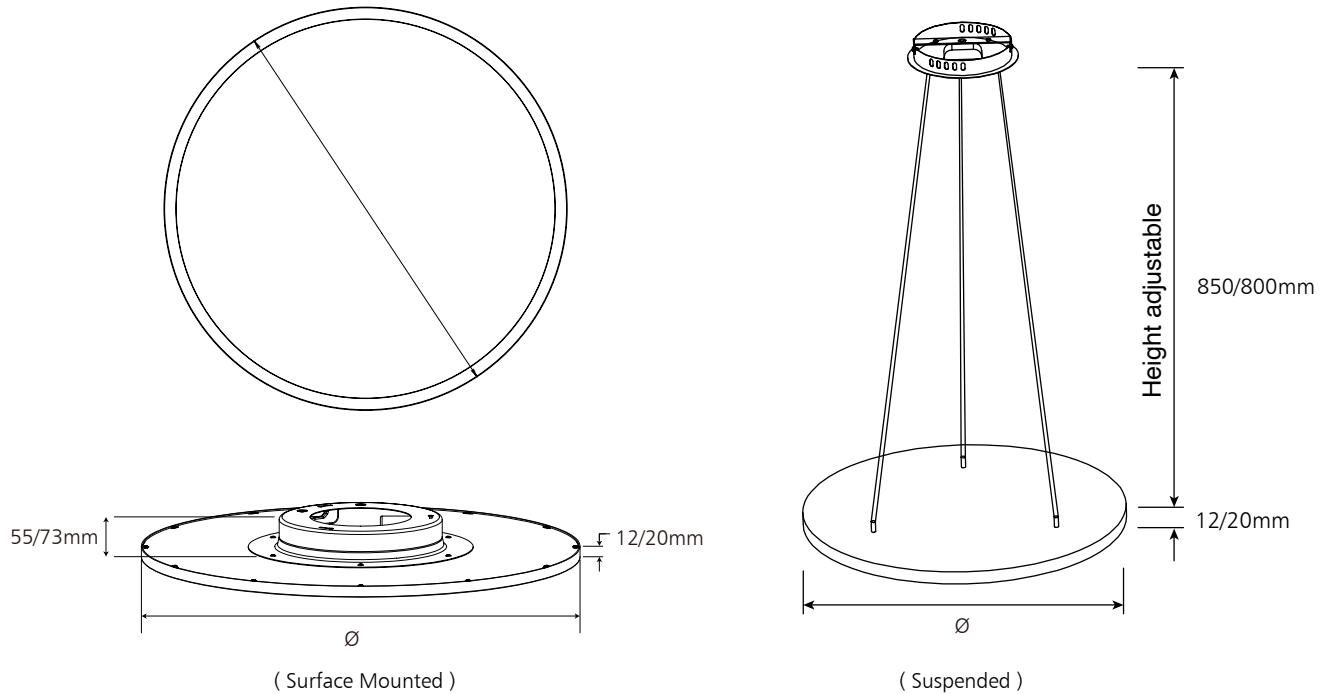
IP40

## Specification

<b>Installation</b>	Suspension / Surface Mounted
<b>Colour Range</b>	3000 ~ 5000k
<b>Chipset</b>	SMD
<b>Power Consumption</b>	18W ~ 80W
<b>Lumen</b>	95lm/W
<b>Input Voltage</b>	100 ~240V AC
<b>Beam Angle</b>	120°
<b>CRI</b>	>80 / >90
<b>Power Factor</b>	>0.9
<b>Dimmable</b>	Triac Dimmer
<b>Warranty</b>	5 Years

<b>Product Dimension (mm)</b>	Ø300 * 12
	Ø400 * 12
	Ø500 * 12
	Ø600 * 12
	Ø780 * 20

## Dimensions



Model	Dimensions (mm)	Power	Power Factor	Lumen ( $\pm 5\%$ )	Beam Angle	CCT	CRI	Dimmable
GUCIR-18W-3012-01	$\varnothing 300 \times 12$	18W	$\geq 0.9$	1560	120°	3000K ~ 5700K	$\geq 80 / 90$	Yes / No
GUCIR-25W-4012-01	$\varnothing 400 \times 12$	25W	$\geq 0.9$	2170	120°	3000K ~ 5700K	$\geq 80 / 90$	Yes / No
GUCIR-35W-4012-01	$\varnothing 400 \times 12$	35W	$\geq 0.9$	3080	120°	3000K ~ 5700K	$\geq 80 / 90$	Yes / No
GUCIR-30W-5012-01	$\varnothing 500 \times 12$	30W	$\geq 0.9$	2460	120°	3000K ~ 5700K	$\geq 80 / 90$	Yes / No
GUCIR-35W-5012-01	$\varnothing 500 \times 12$	35W	$\geq 0.9$	2900	120°	3000K ~ 5700K	$\geq 80 / 90$	Yes / No
GUCIR-35W-6012-01	$\varnothing 600 \times 12$	35W	$\geq 0.9$	3040	120°	3000K ~ 5700K	$\geq 80 / 90$	Yes / No
GUCIR-45W-6012-01	$\varnothing 600 \times 12$	45W	$\geq 0.9$	3600	120°	3000K ~ 5700K	$\geq 80 / 90$	Yes / No
GUCIR-60W-7820-W	$\varnothing 780 \times 20$	60W	$\geq 0.9$	5070~5430	120°	3000K ~ 5700K	$\geq 80 / 90$	Yes / No
GUCIR-80W-7820-W	$\varnothing 780 \times 20$	80W	$\geq 0.9$	6825~7460	120°	3000K ~ 5700K	$\geq 80 / 90$	Yes / No

# Installation Procedure

## WARNING

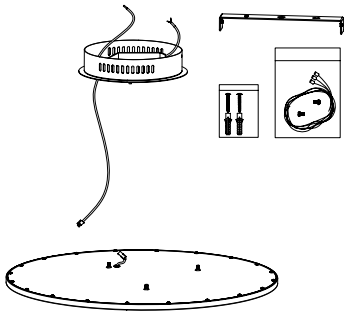
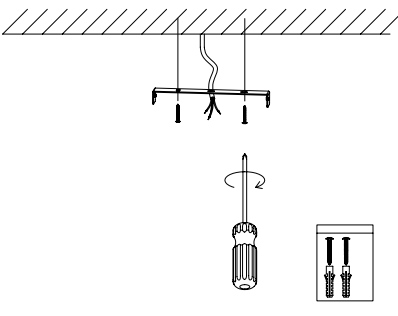
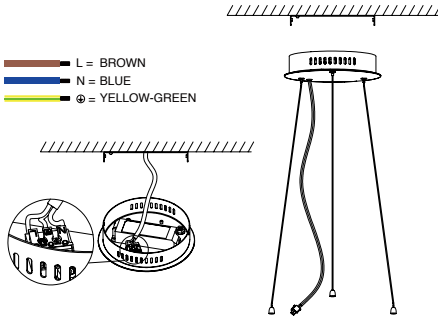
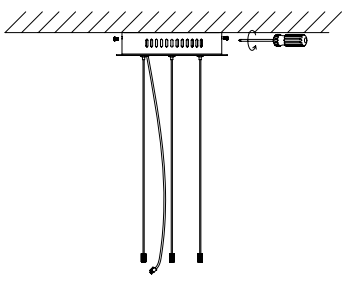
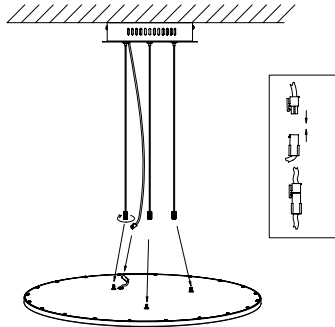
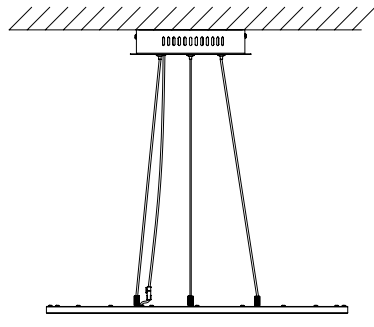
1. Switch off power supply before installation / maintenance.
2. Switch on after completing installation and examination of the circuit.
3. The pendant light must be installed and maintained by professional electrician.



**Turn Off  
Power Supply**

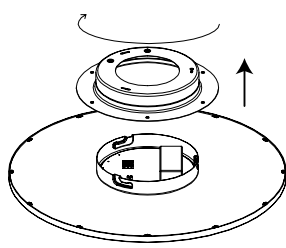
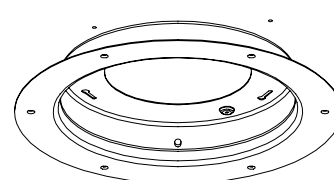
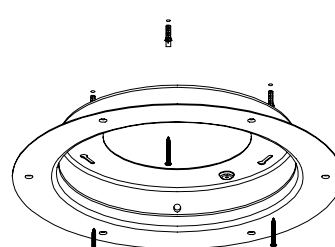
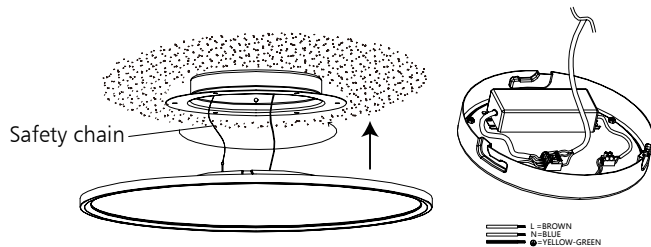
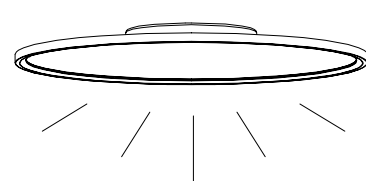
Turn off power supply before installation. Read instructions and make sure you have all the tools and accessories before installation.

## Installation Instructions - Suspended

 <p>1. Unbox panel light and accessory pack.</p>	 <p>2. Switch off power, fix bracket into ceiling with screw.</p>	 <p>3. Insert the hanging wire into wall mount bracket, connect wire L/N/E to the main supply respectively.</p> <p> <span style="color: brown;">—</span> L = BROWN  <span style="color: blue;">—</span> N = BLUE  <span style="color: yellow;">—</span> ⊕ = YELLOW-GREEN         </p>
 <p>4. Fix the wall mount bracket on ceiling using screw.</p>	 <p>5. Hang panel to suspending rope and connect the DC connector</p>	 <p>6. Adjust the length of hanging wire to proper height. Switch on power, installation completed.</p>

# Installation Procedure

## Installation Instructions - Surface Mounted

 <p>1. Unpack the lamp and accessory pack from the box, rotate the installation bracket and take it out.</p>	 <p>2. Drill the screw holes in needed mounting location.</p>	 <p>3. Knock-in the plastic anchor into ceiling. Fix bracket into the ceiling using screw.</p>
 <p>4. Hold the lamp and knock the safety rope, feed the AC wire, then fix the lamp tightly by rotating it.</p> <p> <small> <span style="display: inline-block; width: 10px; height: 10px; background-color: brown; border: 1px solid black;"></span> L - BROWN  <span style="display: inline-block; width: 10px; height: 10px; background-color: blue; border: 1px solid black;"></span> N - BLUE  <span style="display: inline-block; width: 10px; height: 10px; background-color: yellow; border: 1px solid black;"></span> PE - YELLOW-GREEN         </small> </p>		 <p>5. Switch on power, installation completed.</p>