



Circus Series 01

LED Dimmable Pendant Light
(Suspension)



Description

- Suspension.
- 120° wide beam angle.
- Simple, elegant design.

Finish

Black / White

Material

Aluminium Housing



SAA

IES

TUV



RoHS

LM80

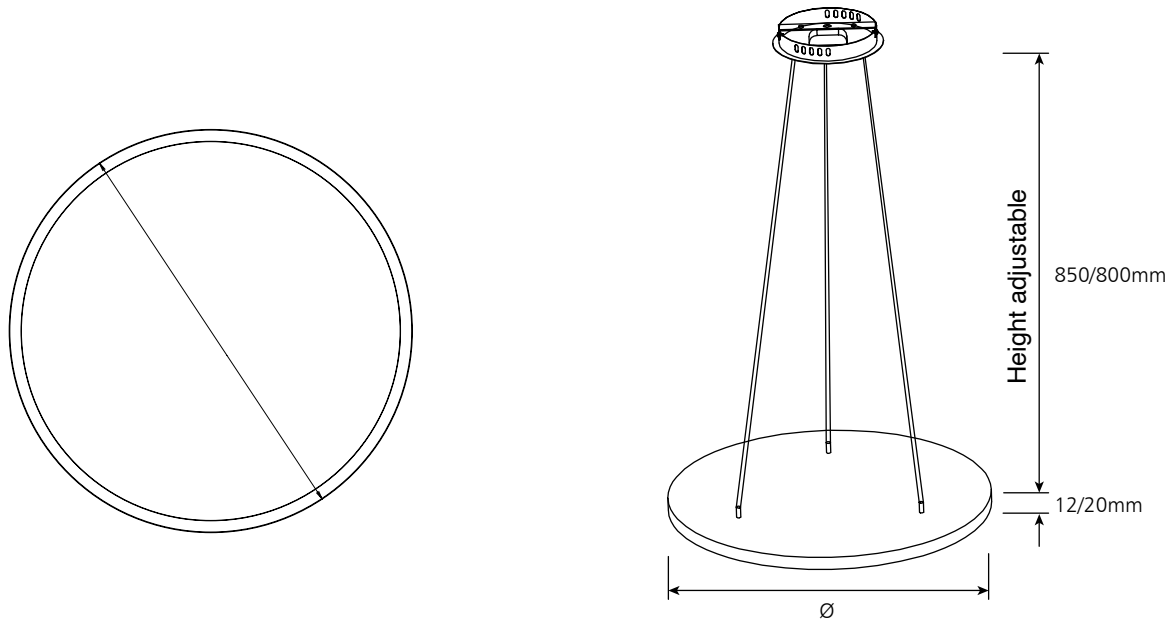
IP40

Specification

Installation	Suspension
Colour Range	3000 ~ 5000k
Chipset	SMD
Power Consumption	18W ~ 80W
Lumen	95lm/W
Input Voltage	100 ~240V AC
Beam Angle	120°
CRI	>80 / >90
Power Factor	>0.9
Dimmable	Triac Dimmer
Warranty	5 Years

Product Dimension (mm)	Ø300 * 12
	Ø400 * 12
	Ø500 * 12
	Ø600 * 12
	Ø780 * 20

Dimensions



Model	Dimensions (mm)	Power	Power Factor	Lumen (±5%)	Beam Angle	CCT	CRI	Dimmable
GUCIR-18W-3012-01	Ø300*12	18W	≥0.9	1560	120°	3000K ~ 5700K	≥80 / 90	Yes / No
GUCIR-25W-4012-01	Ø400*12	25W	≥0.9	2170	120°	3000K ~ 5700K	≥80 / 90	Yes / No
GUCIR-35W-4012-01	Ø400*12	35W	≥0.9	3080	120°	3000K ~ 5700K	≥80 / 90	Yes / No
GUCIR-30W-5012-01	Ø500*12	30W	≥0.9	2460	120°	3000K ~ 5700K	≥80 / 90	Yes / No
GUCIR-35W-5012-01	Ø500*12	35W	≥0.9	2900	120°	3000K ~ 5700K	≥80 / 90	Yes / No
GUCIR-35W-6012-01	Ø600*12	35W	≥0.9	3040	120°	3000K ~ 5700K	≥80 / 90	Yes / No
GUCIR-45W-6012-01	Ø600*12	45W	≥0.9	3600	120°	3000K ~ 5700K	≥80 / 90	Yes / No
GUCIR-60W-7820-W	Ø780*20	60W	≥0.9	5070~5430	120°	3000K ~ 5700K	≥80 / 90	Yes / No
GUCIR-80W-7820-W	Ø780*20	80W	≥0.9	6825~7460	120°	3000K ~ 5700K	≥80 / 90	Yes / No

Installation Procedure

WARNING

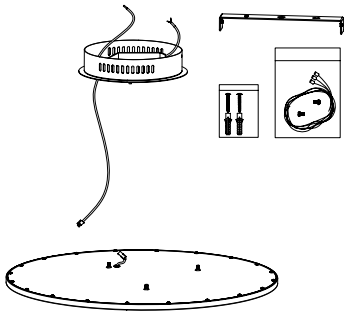
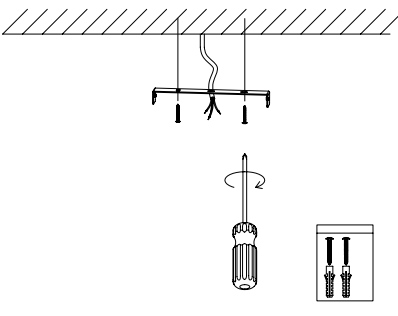
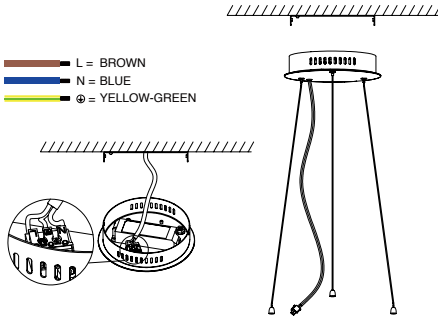
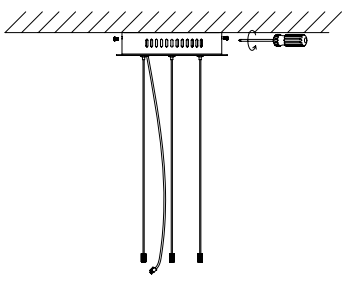
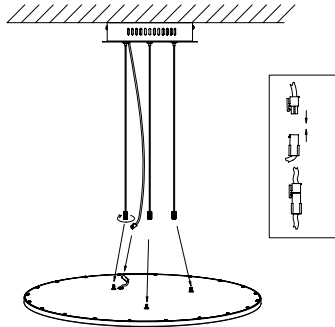
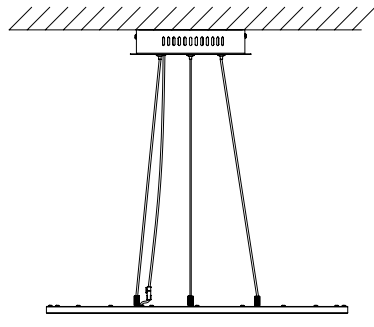
1. Switch off power supply before installation / maintenance.
2. Switch on after completing installation and examination of the circuit.
3. The pendant light must be installed and maintained by professional electrician.



**Turn Off
Power Supply**

Turn off power supply before installation. Read instructions and make sure you have all the tools and accessories before installation.

Installation Instructions - Suspended

 <p>1. Unbox panel light and accessory pack.</p>	 <p>2. Switch off power, fix bracket into ceiling with screw.</p>	 <p>3. Insert the hanging wire into wall mount bracket, connect wire L/N/E to the main supply respectively.</p> <p> — L = BROWN — N = BLUE — ⊕ = YELLOW-GREEN </p>
 <p>4. Fix the wall mount bracket on ceiling using screw.</p>	 <p>5. Hang panel to suspending rope and connect the DC connector</p>	 <p>6. Adjust the length of hanging wire to proper height. Switch on power, installation completed.</p>