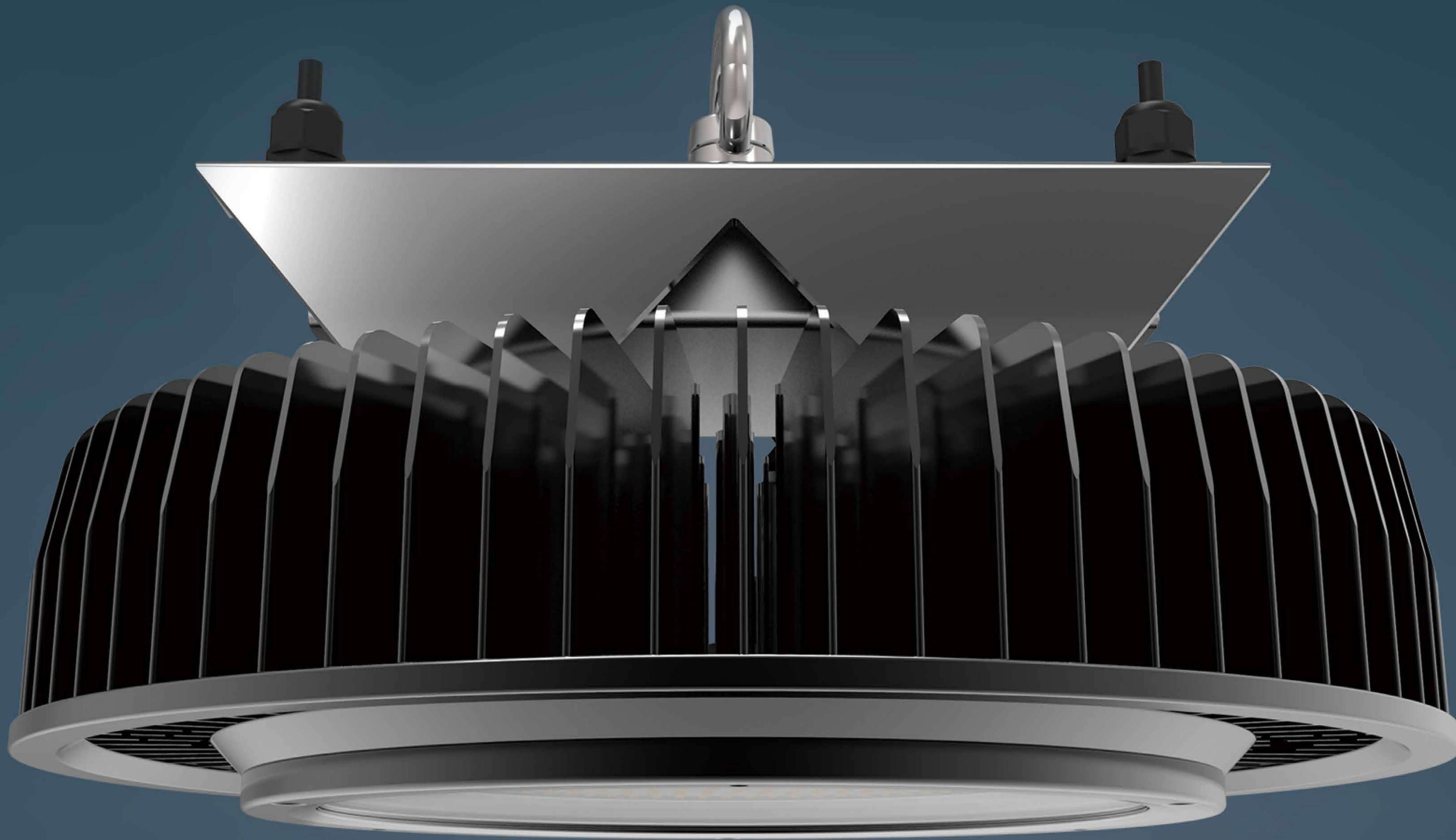


KASA K SERIES LED HIGHBAY



FINISH

Advanced electrophoresis surface treatment which can resist all tough weather conditions while providing optimal color maintenance.

OPTICS

Available with 3 different quality reflectors for all kinds of installation height and application. Up to **160lmw** as finish product.

CONSTRUCTION

Pure Aluminum cold-forge heatsink with heat conductive index up to **226W/MK** which gives excellent heat management and light weight and long time corrosion-resistant

RELIABILITY

Top brand SAA certified LED Drivers and Cree 2835 or Nichia 757G-V2 LED chip options to ensure 5 years solid Warranty without worry about maintenance.

Optical

MODEL NO.	POWER	LUMEN	CHIP QTY	CHIP	CCT	CRI	WARRANTY
GBKAS-320W-K-784	320W	49600lm	784pcs	NICHIA SMD3030 Cree 2835	4000K 5000K 6000K	Ra80	5 years
GBKAS-480W-K-736	480W	67200lm	736pcs				
GBKAS-480W-K-1264	480W	76800lm	1264pcs				

Note: Lumen output is tested at Ra80 and 5000K with 5% tolerance.

Electrical

MODEL NO.	DRIVER	INPUT VOLTAGE	PF	DRIVER EFFICIENCY	THD	DIM	WORKING TEMPERATURE
GBKAS-320W-K-784	SAA CERTIFIED DRIVER	100-277v	> 0.95	> 0.9	< 15	1-10V	-40 - 50°C
GBKAS-480W-K-736							
GBKAS-480W-K-1264							

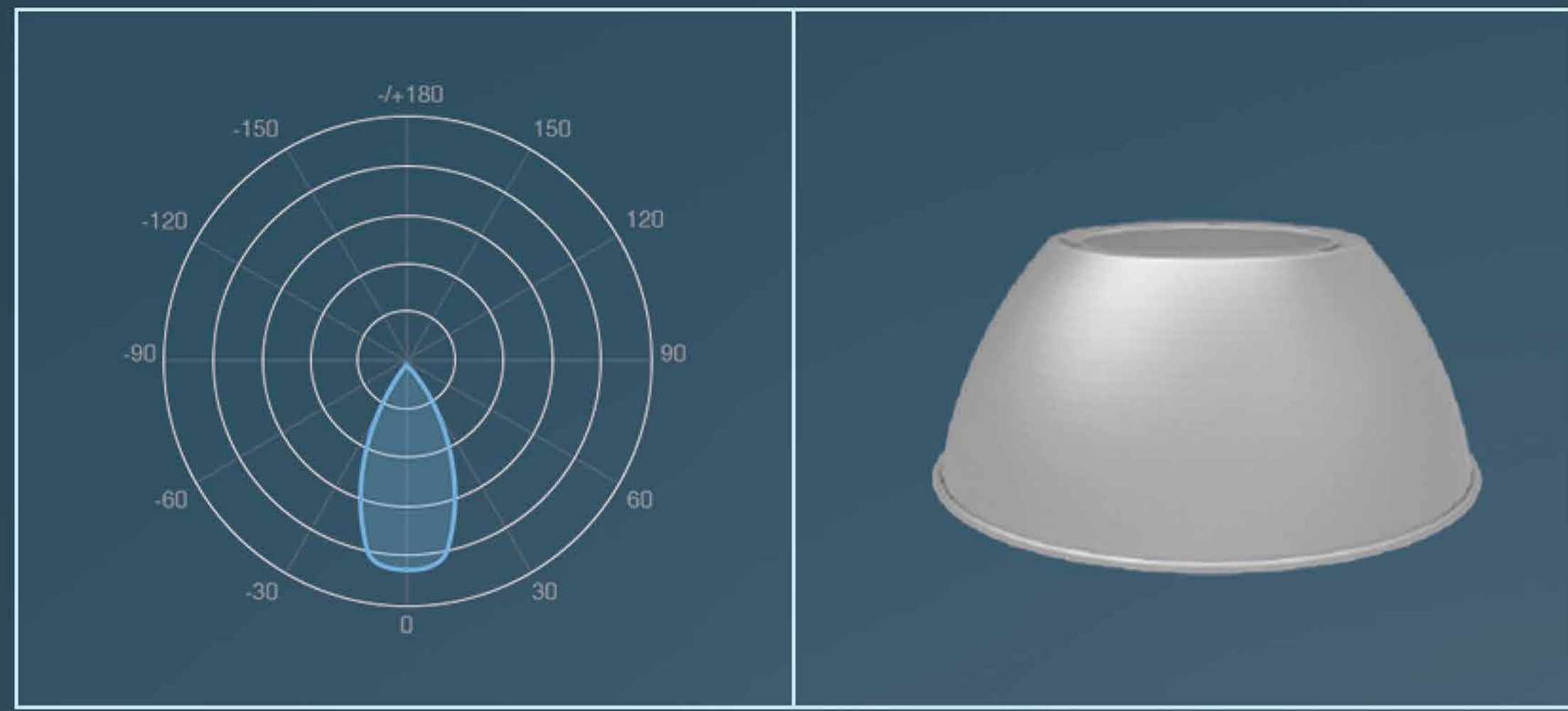
Note: PF, efficiency, THD are tested at AC120V.

Other

MODEL NO.	IP RATING	IK RATING	UGR	SPD	COLOR	LIFESPAN
GBKAS-320W-K-784	IP65	IK08	28	4KV	BLACK WHITE	L70 > 100,000H
GBKAS-480W-K-736						
GBKAS-480W-K-1264						

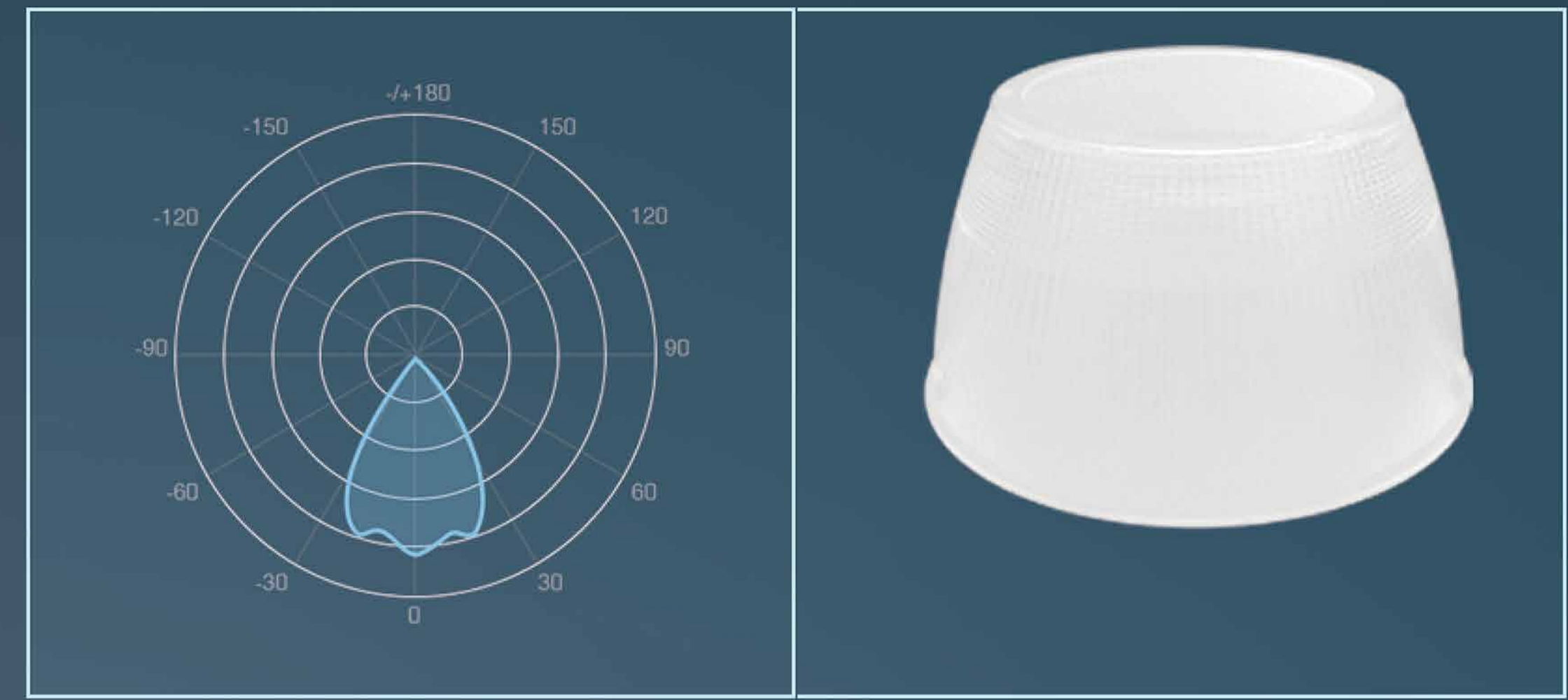
Note: UGR rating is for 90 degree.

Optical



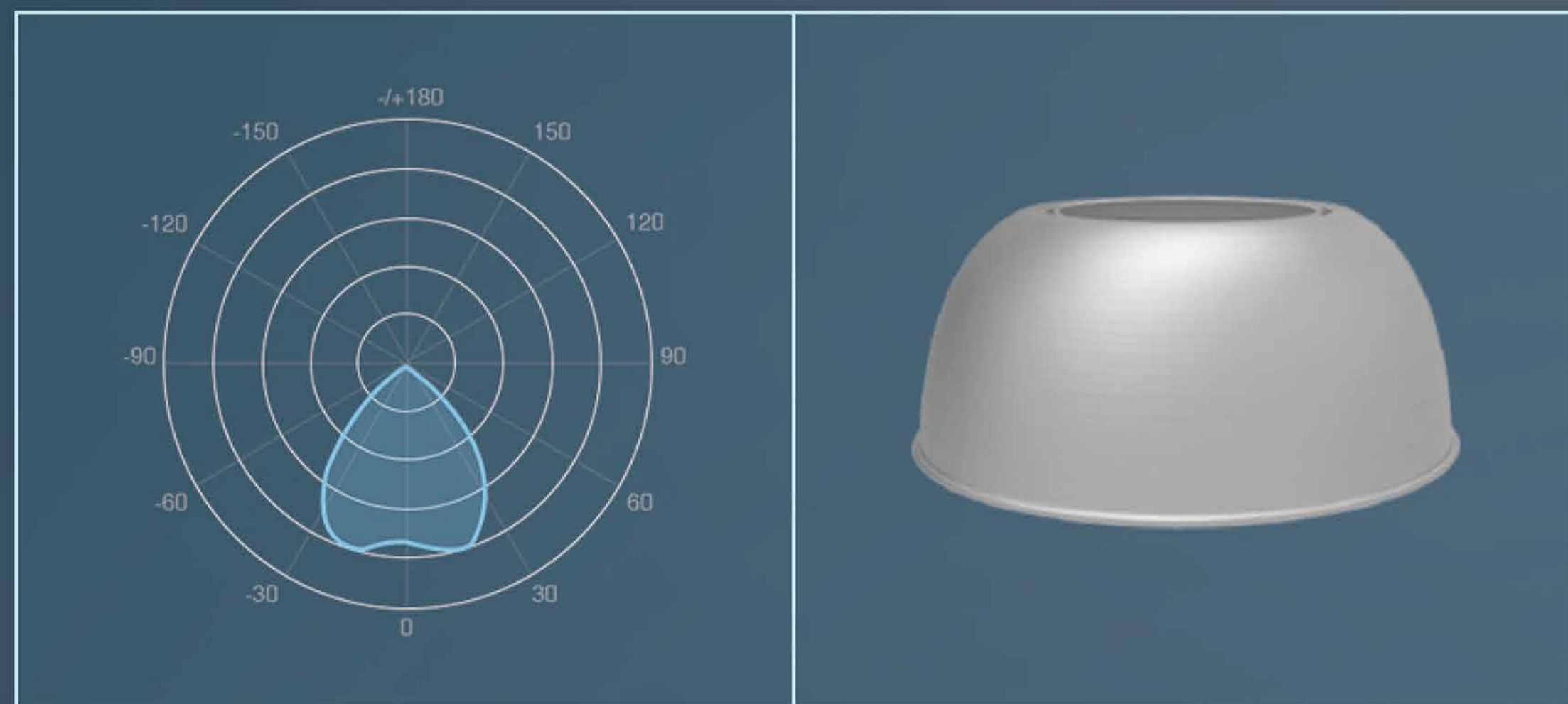
60°

Aluminum reflector



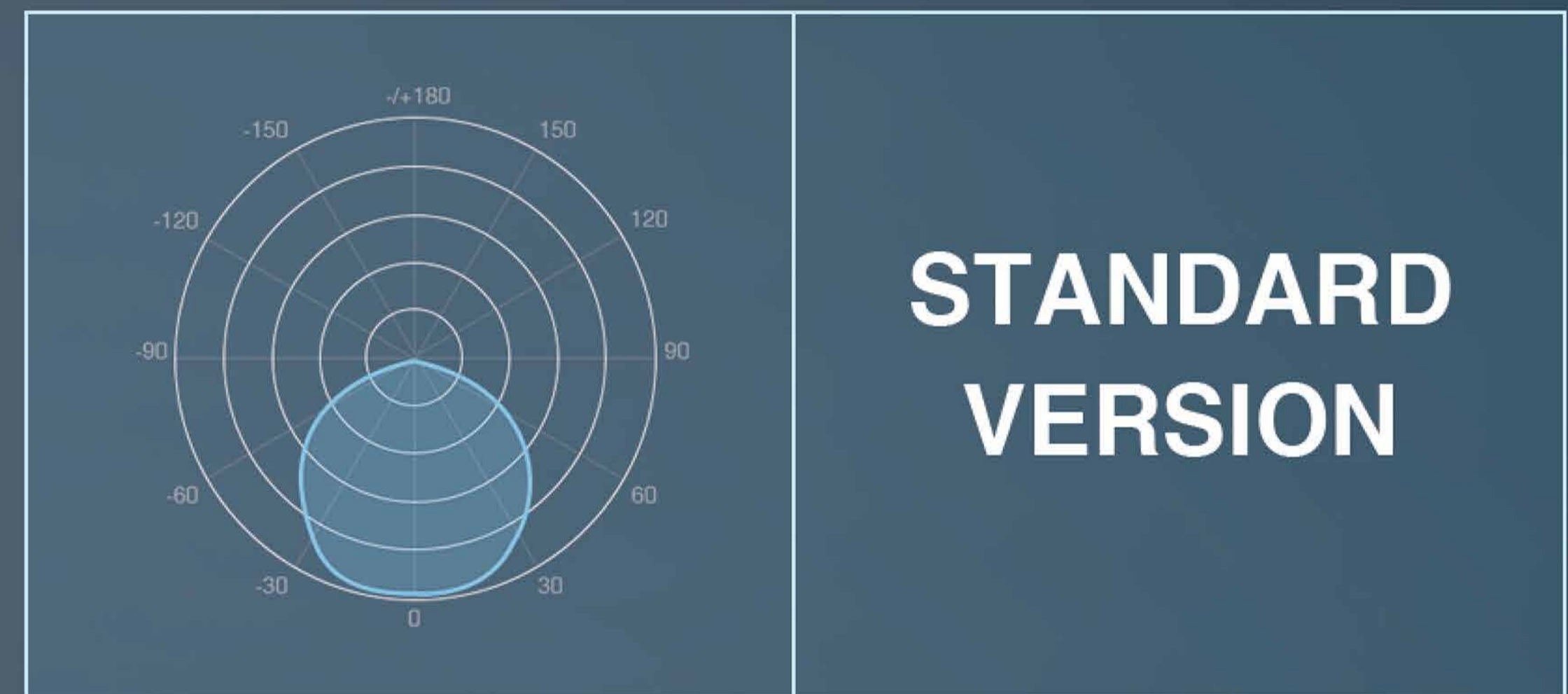
70°

PC reflector



90°

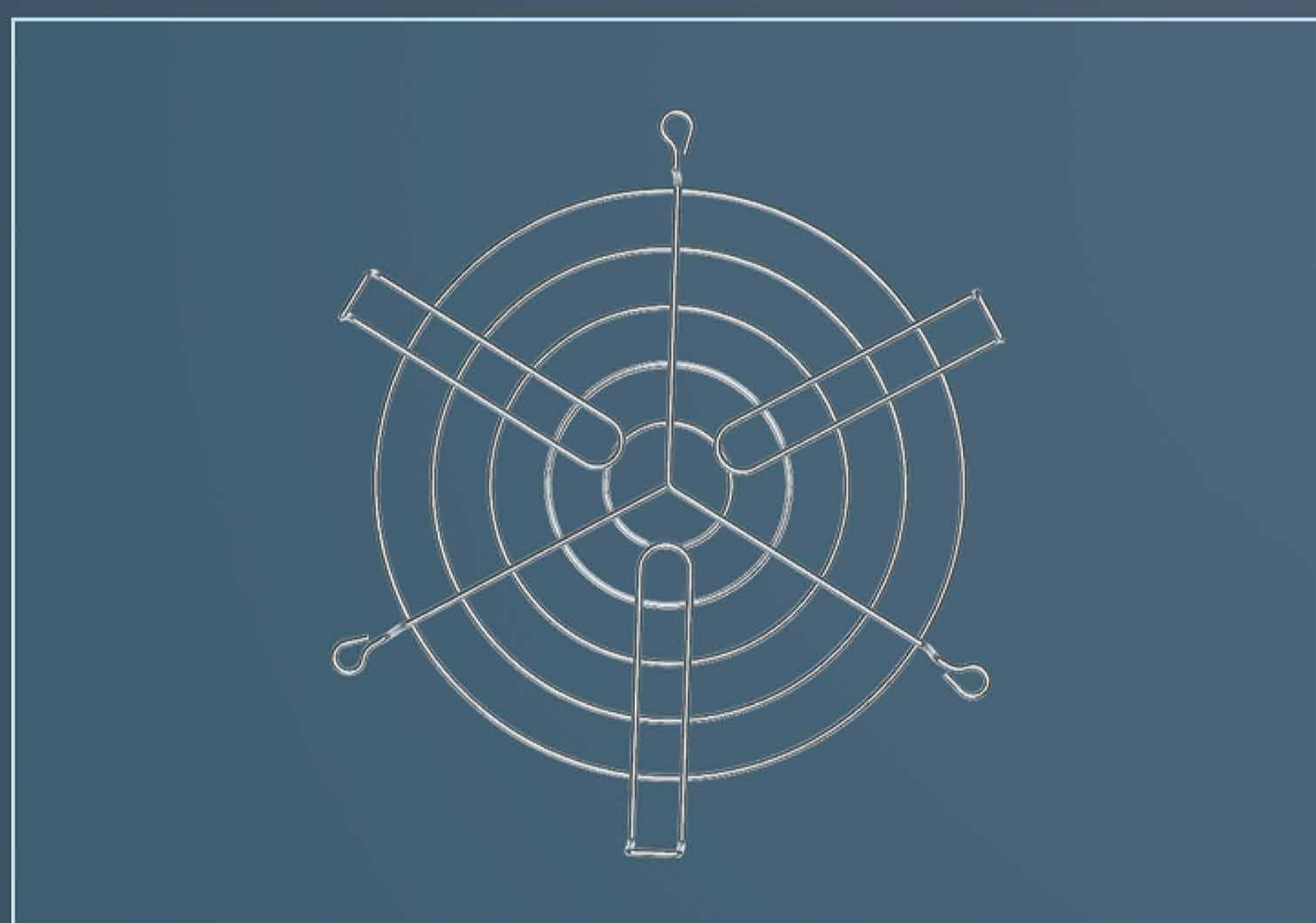
Aluminum reflector



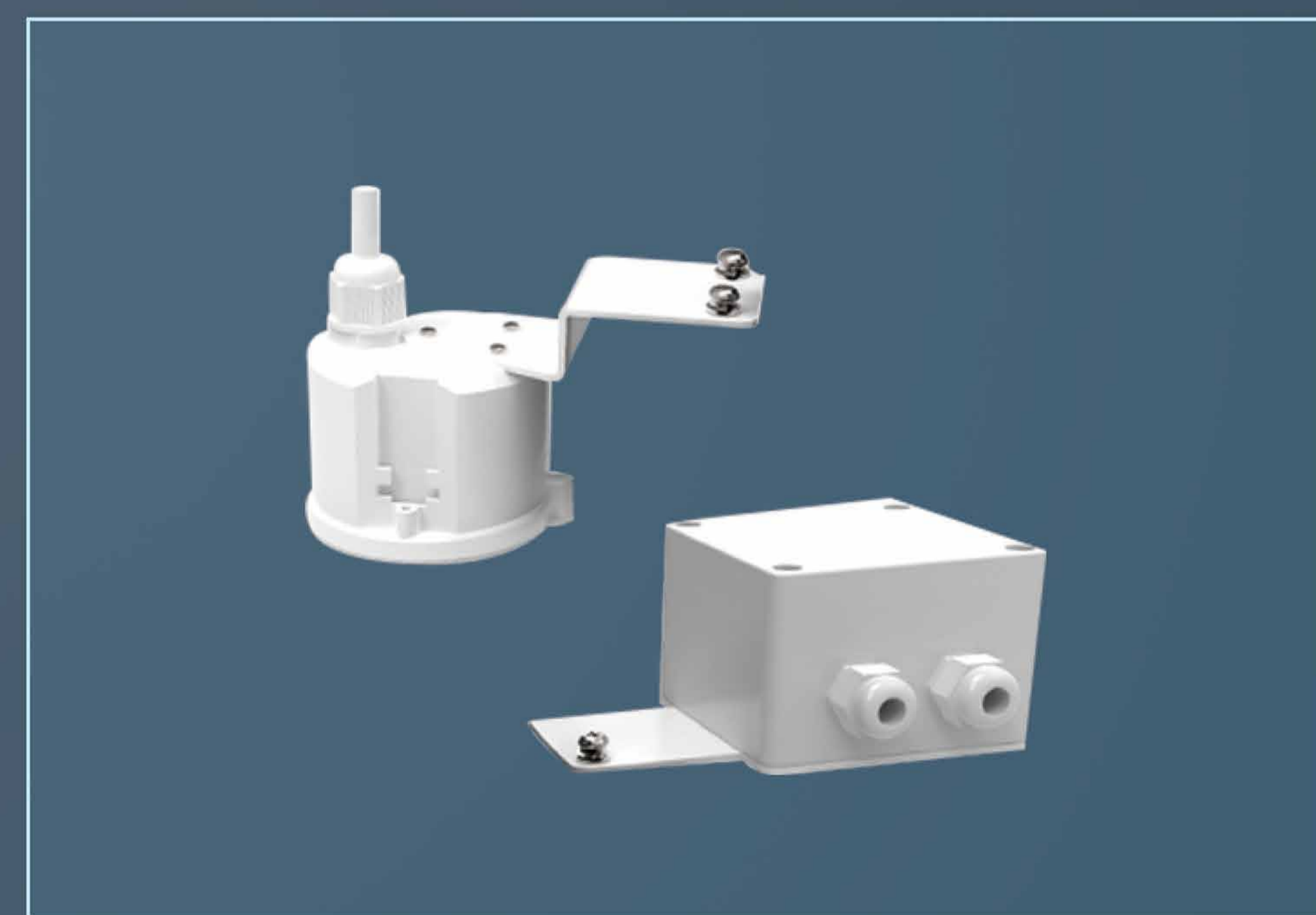
120°

Tempered glass

Accessories



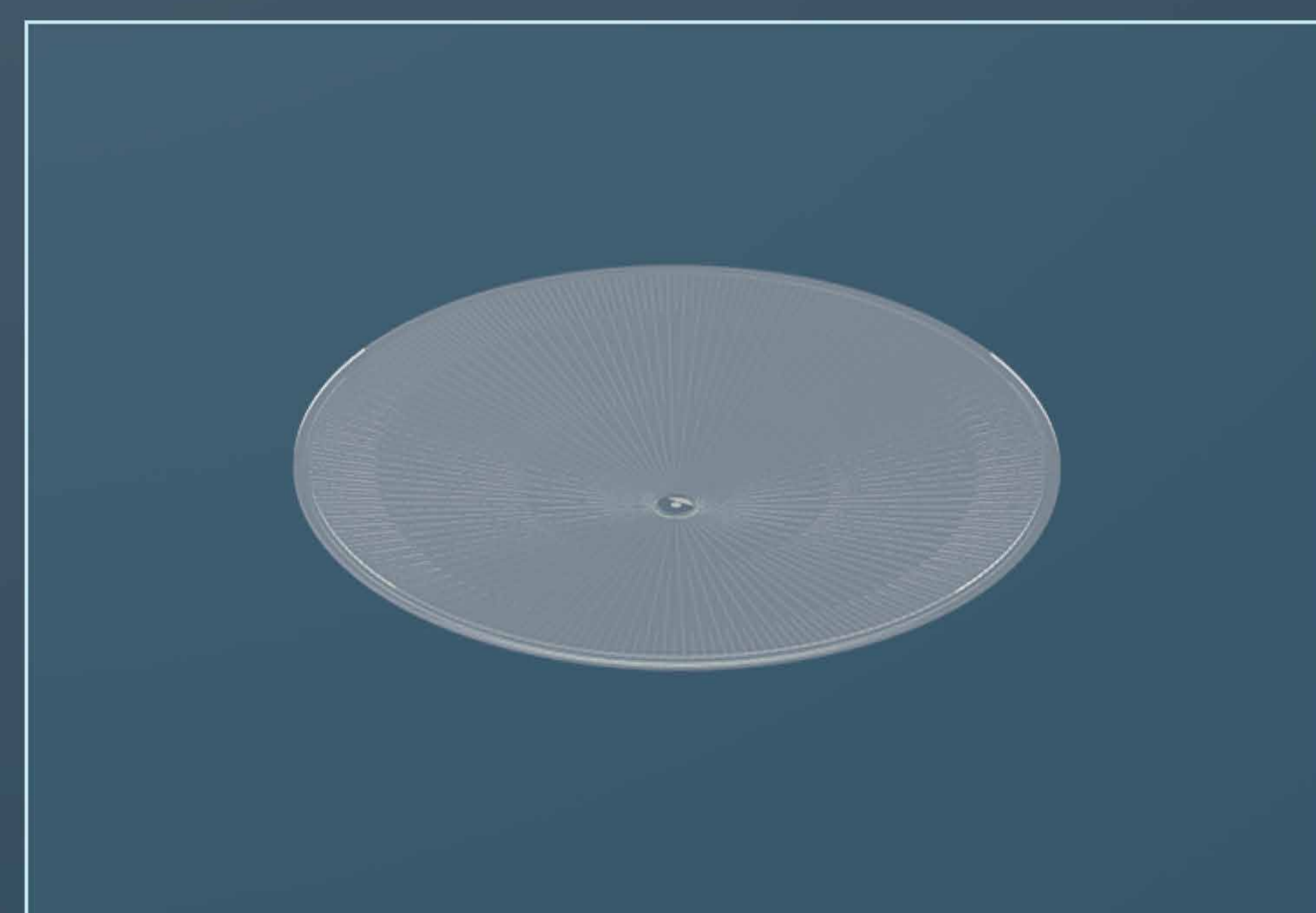
Wire guard



Sensor Kit

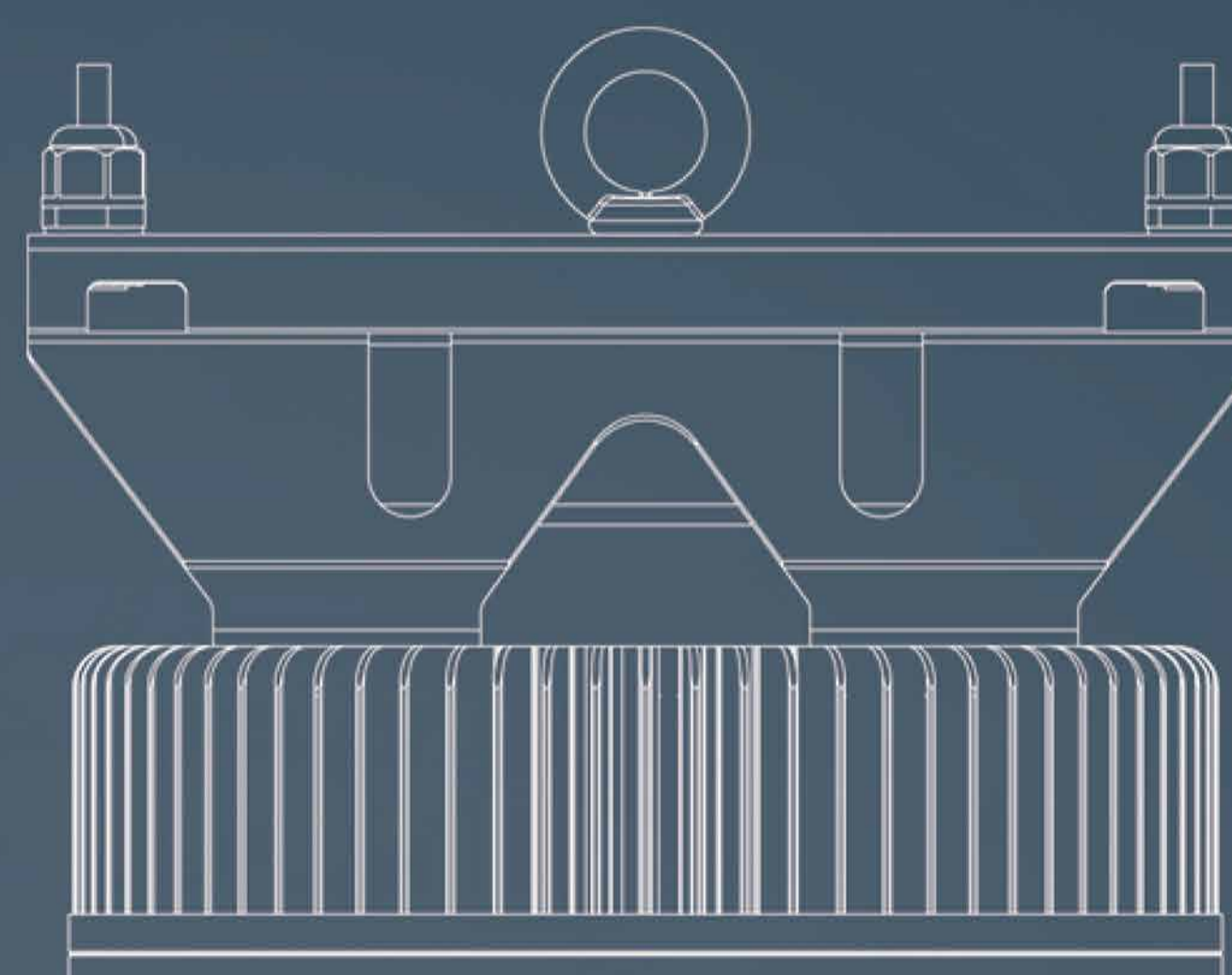


25% up-light
reflector kit

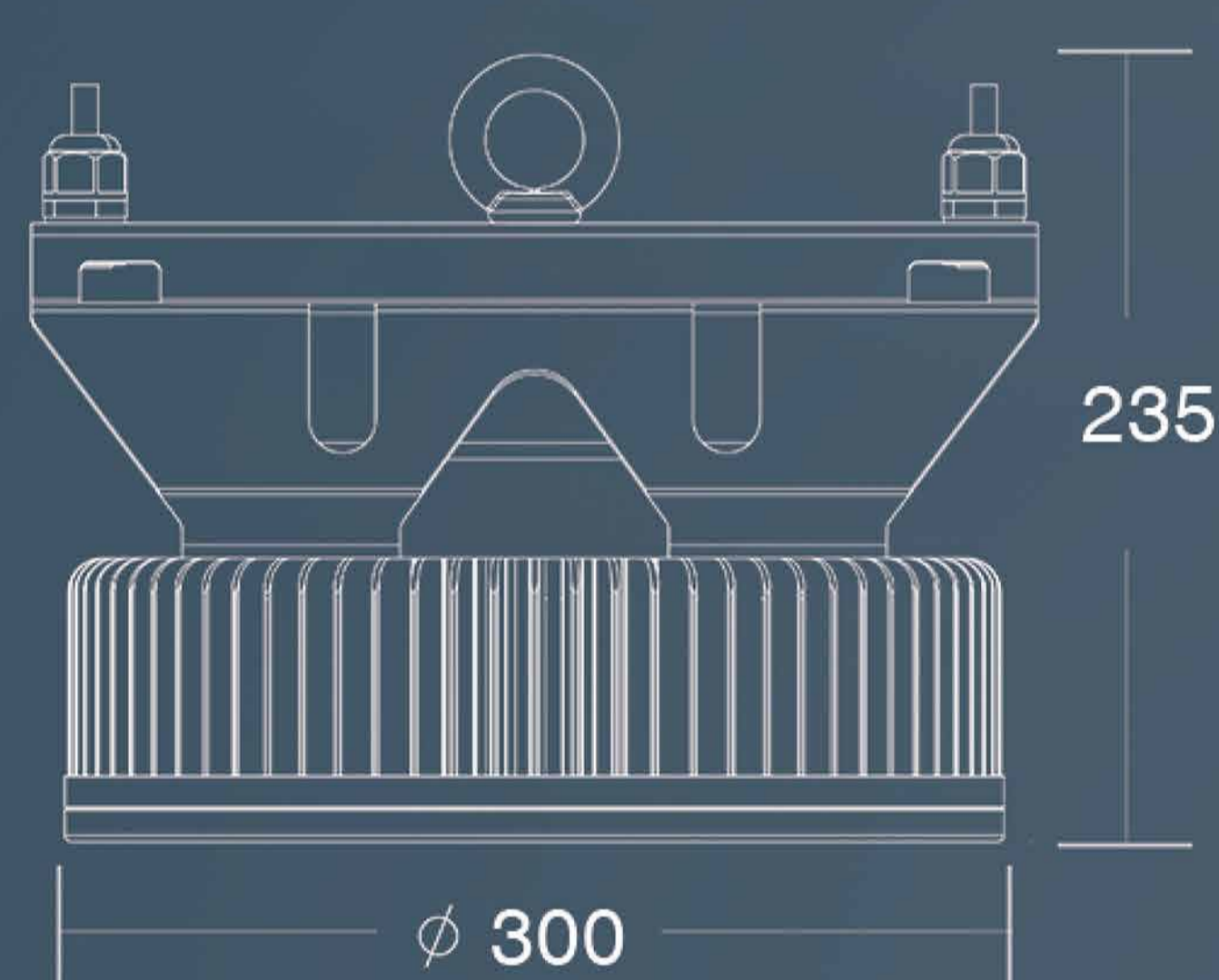


Bottom lens

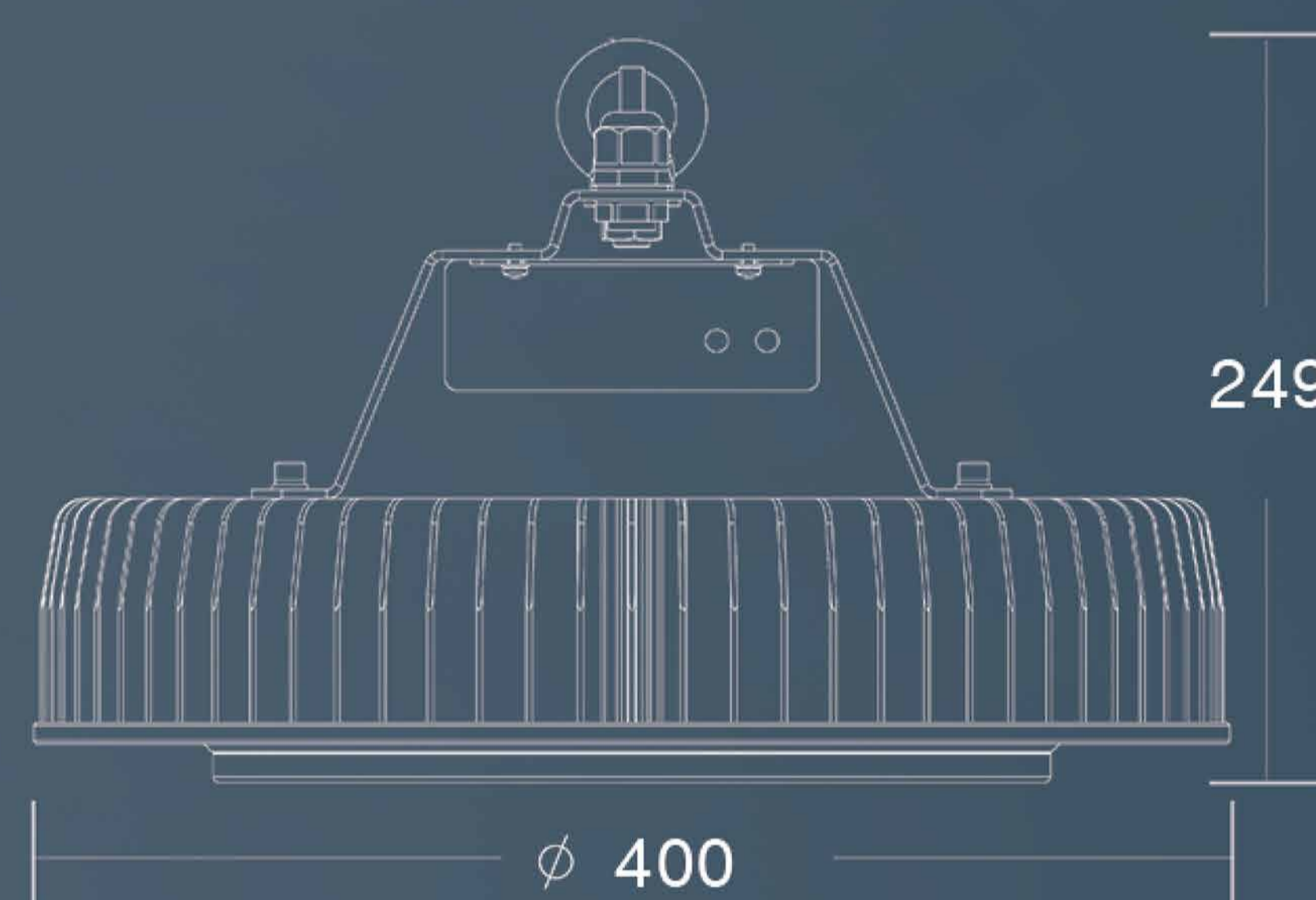
- Standard ring mount



Dimension (mm)



320W



480W

Package

Unit:mm	L	W	H	WEIGHT
320W	340	340	275	6.5kg
480W	475	475	365	11kg

