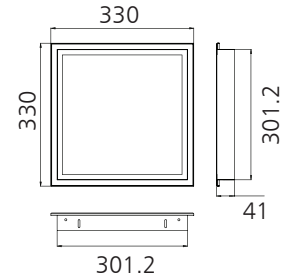


Technical Application Guide

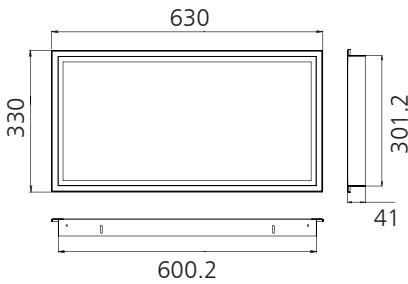
for Greenlux LED Panel Light Recessed Frame

GU-RF-01

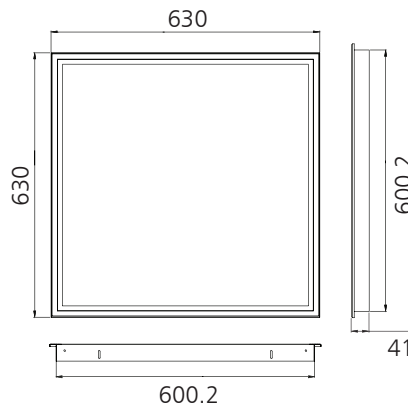
Introduction



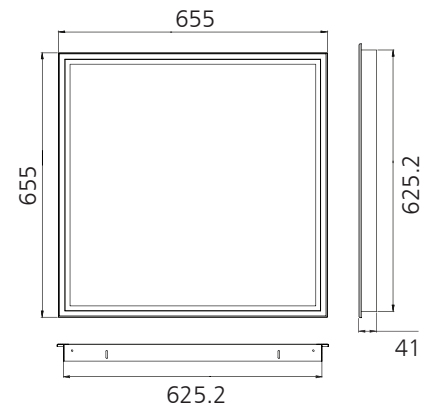
Model: GU-RF3030-01
Apply to led panel light 295x295mm
Ceiling kit size: 330x330mm
310x310mm cutout



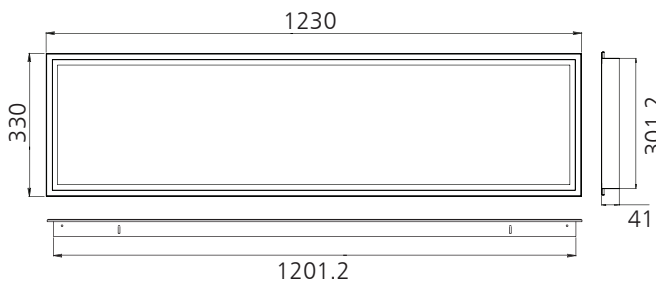
Model: GU-RF3060-01
Apply to led panel light 295x595mm
Ceiling kit size: 330x630mm
310x610mm cutout



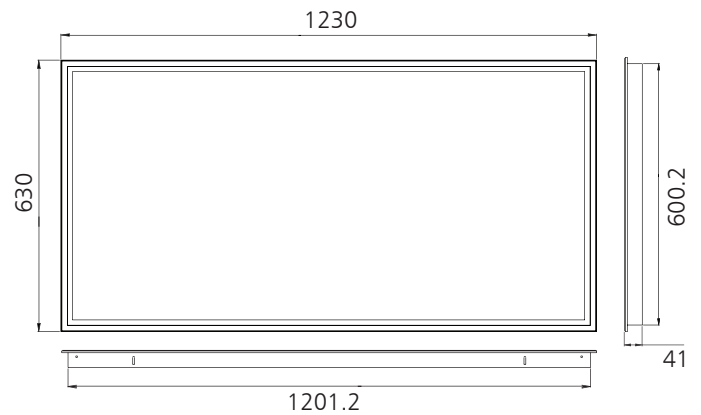
Model: GU-RF6060-01
Apply to led panel light 595x595mm
Ceiling kit size: 630x630mm
610x610mm cutout



Model: GU-RF6262-01
Apply to led panel light 620x620mm
Ceiling kit size: 655x655mm
635x635mm cutout

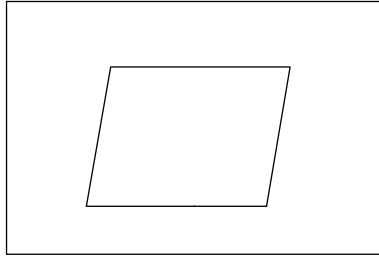


Model: GU-RF30120-01
Apply to led panel light 295x1195mm
Ceiling kit size: 330x1230mm
310x1210mm cutout

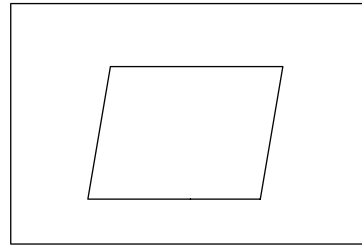


Model: GU-RF60120-01
Apply to led panel light 595x1195mm
Ceiling kit size: 630x1230mm
610x1210mm cutout

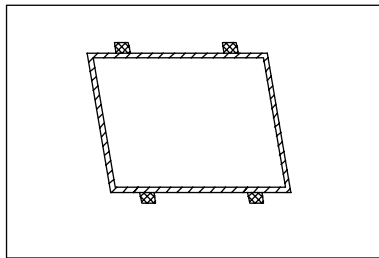
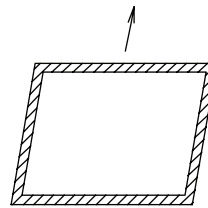
Panel Ceiling Installation Instruction



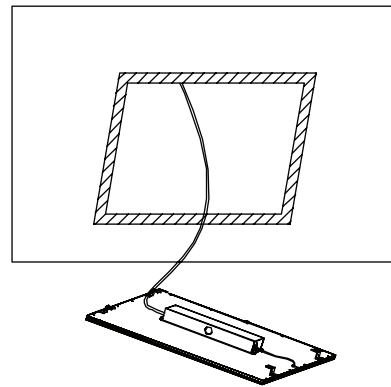
Step one:
Open a suitable size hole in
the ceiling



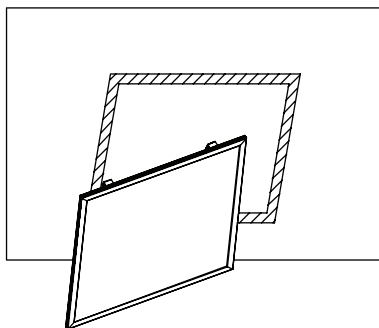
Step two:
Put the plaster recessed
frame into the hole



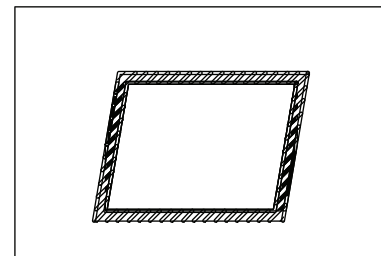
Step three:
Fix the plaster recessed frame
with the 4pcs clips



Step four:
Connect power supply with
the LED Panel light



Step five:
Put the LED panel light into the
plaster recessed frame



Step six:
Turn on the LED Panel light