

JL-205C

Electronic Photocontrol Fail-On

NEMA Twist-lock



IP54

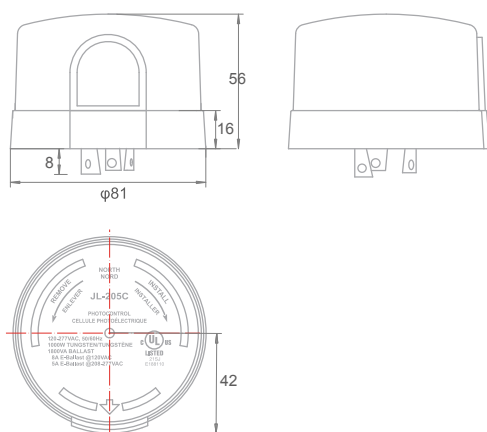
IP65



PRODUCT SUMMARY

The photocontrol JL-205C is applicable to control the street lighting, garden lighting, passage lighting and doorway lighting automatically in accordance with the ambient natural lighting level. This product is designed with electronic circuits with phototransistor and a surge arrester (MOV) is provided. Especially, model JL-205C provides a wide voltage range for customer applications under almost power supplies. Further, a preset 3-20 seconds time-delay might avoid mis-operation due to spotlight or lightning during the night time.

This product provides twist lock terminals meeting the requirements of ANSI C136.10 and the Standard for Plug-In, Locking Type Photocontrols for Use with Area Lighting UL773, 4th Edition, cULus listed by UL.



FEATURES

- ANSI C136.10 Twist Lock
- Time Delay of 3-20 seconds
- Surge Arrester Built-In
- Fail-On Mode
- UV Stabilised Enclosure
- IP54/IP65/IP67 Available

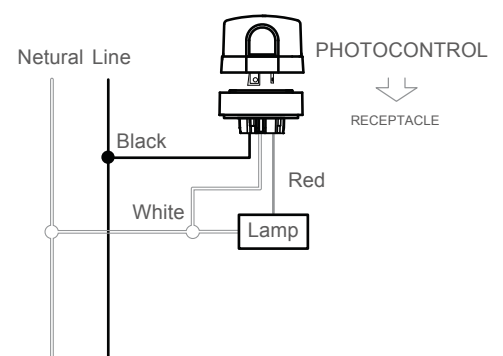
SPECIFICATIONS

Model No.	JL-205C
Rated Voltage	120-277VAC
Rated Frequency	50/60Hz
Rated Loading	1000W Tungsten; 1800VA Ballast; 8A@120VAC/5A@208-277V E-ballast
Power consumption	3W@120V
Operate Levels	10~20Lx Turn-On / 30~60Lx Turn-Off
Ambient Temperature	-40°C ~ +70°C
Related Humidity	96%
Failure mode	Fail-on
Shell material	PC/PP
High protection	sandwich cover
Zero crossing control	N/A
FCC	N/A
IP level	IP67 (supports IP65 combination when installed onto receptacle)
Certifications	 

INSTALLATION

Disconnect power; wire the receptacle according to the diagram in right hand. Push the photocontrol on and twist it clockwise to lock it into the receptacle.

Install the photocontrol with the Photocell facing the NORTH direction as indicated on the top of the photocontrol. Adjust the receptacle position if necessary.



INITIAL TESTING

- The Photocontrol turn off immediately when first installed.
- To test “turn on” during daytime, cover its eye with black tape or other opaque material.
- Do not cover with finger because light traveling through fingers may be great enough to keep the switch open.
- Test will take approximately 2 minutes.

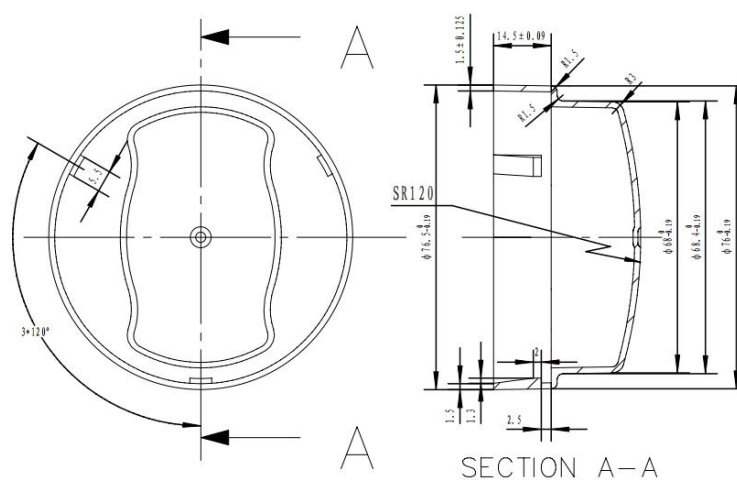
JL-208-IP66

Shorting Cap



- Intend to short a twist-lock photocontrol receptacle while under maintain
- Easy-to-maintain Twist-lock (ANSI C136.10)
- IP66 protection while installed
- Surge Protection Available (JL-208 Only)
- UV stabilised Polycarbonate Enclosure
- UV stabilised Polybutylene Base

DIMENSIONS



Model No.	Cap Colour	Rated load
JL-208-IP66	Black	7200W Tungsten 7200VA Ballast