

Premium BHE-EM3 LED Emergency Bulkhead

LED Emergency Lighting



Introduction

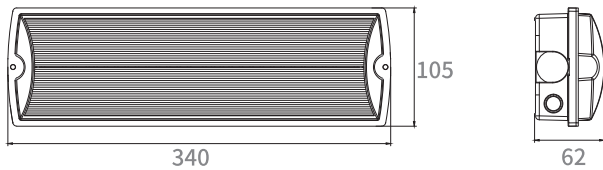
Premium BHE-EM3 LED Emergency Bulkhead is controlled by smart IC, with self-test function. It has two different output which is adjustable at field. Left, right, up, down direction arrow pictogram legend is optional. It is designed with simple line and elegant element. BHE-EM3 has the ability to transcend ordinary design, as well as product quality.

Features

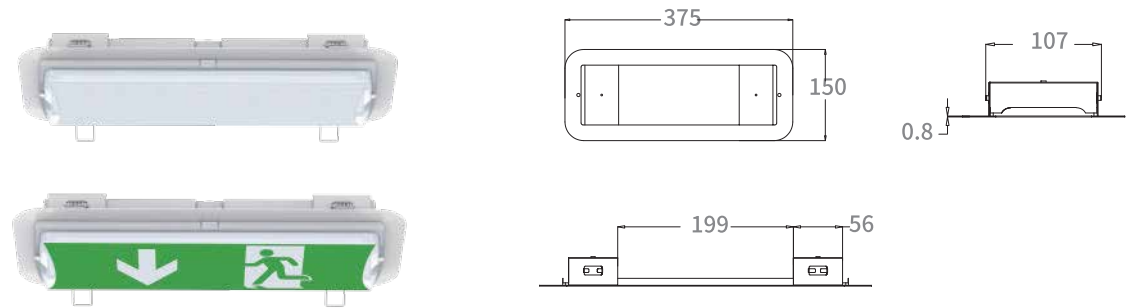
- Optional interchangeable legends.
- IP65 Rated.
- Efficient and reliable LED light source.
- Suitable for wall / ceiling / recessed mounting.



Dimensions unit:mm



Recessed Mounting



Model List

Model	Input Voltage	Output Power	Lumen Output	Charge Duration	Discharge Duration	Battery	Test Mode
GUPRE-3W-BHE-EM3-ST-AT-3H	220-240V	3W Max	200lm	24H	3H	LiFePO4 6.4V1500mAh	Auto Test
GUPRE-3W-BHE-EM3-ST-MT-3H	220-240V	3W Max	200lm	24H	3H	LiFePO4 6.4V1500mAh	Manual Test

Driver Datasheet

Model	BHE-EM3
Power	4.5W Max
Rated Input Voltage(V)	AC230V
Frequency	50/60Hz
Input Voltage	AC220-240V
Discharge Efficiency	≥70%
Total load wattage	2W Max
Power Factor	≥0.3
Rated Input Current	≤0.08A
Full load output voltage	DC12V
Rated output current	140mA
Output current range	140mA±10%
Power tolerance	10%
Current output tolerance	10%
Surge	0.5KV
Withstand voltage	AC3750V

Technical Data

Model	BHE-EM3
LED	SMD 2835
CCT(K)	5000K
"Luminous Flux(lm) Non-DIM	140mA±10%
CRI	>80
LED Driver	Built-in
Protection Class	Class II
IP Rating	IP65
IK Rating	—
Finishing color	White
Material	PC
Glow wire test (°C)	COVER:850°C / LENS:650°C
Operating Temp (°C)	0°C ~45°C
Storage Temp (°C)	0°C ~65°C

Instructions for Automatic Test Option

1. Once the unit is powered up it will automatically initiate a self test and diagnostics as follows:

- Every 4 seconds: Checks for battery disconnection, charger board fault, lamp fault and transfer fault.
- Every month: Performs a 3 minutes duration test.
- Every year: Performs a 3 hours duration test.

All test functions are factory preset and do not need field adjustment.

2. Dual Colour Indicator LED Status

- Green Solid On Ready/Normal Operation
- Red Requires Service

•	One flashes, 4 seconds pause	Battery not connected
••	Two flashes, 4 seconds pause	Low battery voltage
•••	Three flashes, 4 seconds pause	Charger board fault
••••	Four flashes, 4 seconds pause	AC/DC transfer fault
•••••	Five flashes, 4 seconds pause	LED lamp fault

NOTE: After repairing a service fault, press and hold the test button for 2 seconds to reset the flashing indicator light to green.

3. Manual Testing

Press test button once	30 seconds duration test
Press test button twice within 2 seconds	3 minutes duration test
Press test button 3 times within 2 seconds	30 minutes duration test
Press test button 4 times within 2 seconds	1 hour or 3 hours duration test