

Premium SFE-EM4 LED Spitfire

LED Surface Mounted Emergency Lighting



Introduction

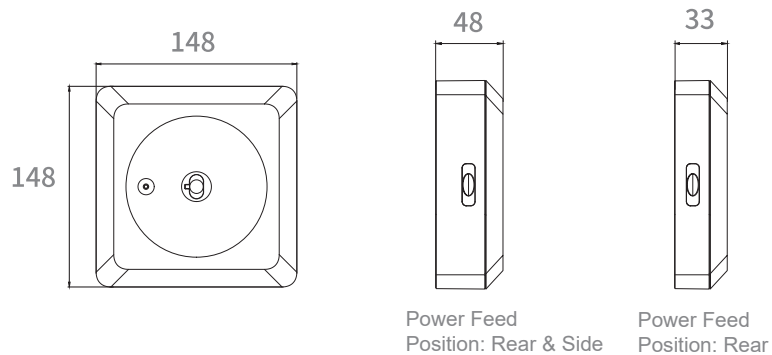
Premium SFE-EM4 LED Spitfire is controlled by smart IC, with self-test function. Round lens for open area, Oval lens for pathway. With the simple and elegant design, it is suitable for ceiling mounting way. SFE-EM4 has the ability to transcend ordinary design, as well as product quality.

Features

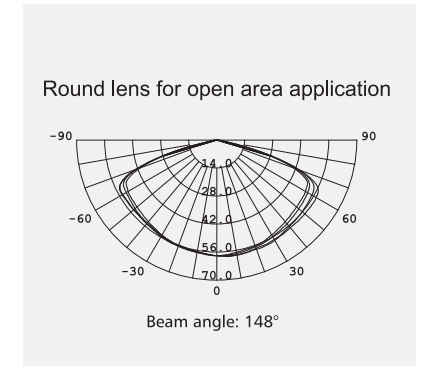
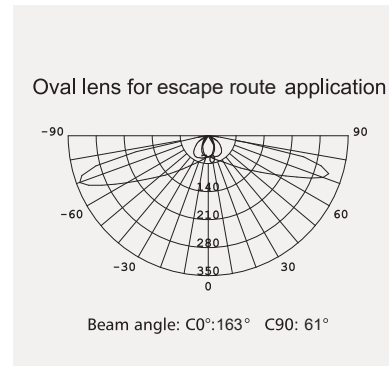
- Slim and modern design.
- Round lens and oval lens option.
- Intelligent control available.
- High power & efficiency LED.
- LiFePO4 battery, long life time.



Dimensions unit:mm



Photometric Data



Model List

Model	Input Voltage	Power Consumption	Charge Duration	Lumen Output	Discharge Duration	Battery	Test Mode
GUPRE-3W-SFE-EM4-ST-AT-3H	200-240V	3W Max	24H	240lm	3H	LiFePO4 6.4V1500mAh	Auto test
GUPRE-3W-SFE-EM4-ST-MT-3H	200-240V	3W Max	24H	240lm	3H	LiFePO4 6.4V1500mAh	Manual Test
GUPRE-6W-SFE-EM4-HO-AT-3H	200-240V	6W Max	24H	550lm	3H	LiFePO4 6.4V1500mAh	Auto test
GUPRE-6W-SFE-EM4-HO-MT-3H	200-240V	6W Max	24H	550lm	3H	LiFePO4 6.4V1500mAh	Manual Test

Driver Datasheet

Model	SFE-EM4-ST	SFE-EM4-HO
Power Consumption	3W Max	6W Max
Frequency	50/60Hz	50/60Hz
Input Voltage	200-240V	200-240V
Discharge Efficiency	≥80%	≥80%
Output Power	1.8W±0.3W	4.5W±0.5W
Power Factor	≥0.3	≥0.3
Rated Input Current	≤0.035A	≤0.055A
Full load output voltage	DC2.8-3.2V	DC5.6-6.4V
Output current range	580mA±10%	700mA±10%
Short circuit protection	PASS	PASS
Over voltage protection	PASS	PASS
Surge	0.5KV	0.5KV
Withstand voltage	AC3750V	AC3750V

Technical Data

Model	SFE-EM4
Power Consumption	3W/6W Max
LED	SAMSUNG 3535
CCT(K)±10%	5000K
"Luminous Flux(lm) ±10%"	240lm/550lm
CRI	>80
LED Driver	Built-in
Protection Class	Class II
IP Rating	IP20
Finishing color	White/Black
Material	PC
Glow wire test (°C)	COVER:850 C / LENS:650 C
Operating Temp (°C)	0 C ~45 C
Storage Temp (°C)	0 C ~65 C

Instructions for Automatic Test Option

1. Once the unit is powered up it will automatically initiate a self test and diagnostics as follows:

- Every 4 seconds: Checks for battery disconnection, charger board fault, lamp fault and transfer fault.
- Every month: Performs a 3 minutes duration test.
- Every year: Performs a 3 hours duration test.

All test functions are factory preset and do not need field adjustment.

2. Dual Colour Indicator LED Status

- Green Solid On Ready/Normal Operation
- Red Requires Service

•	One flashes, 4 seconds pause	Battery not connected
••	Two flashes, 4 seconds pause	Low battery voltage
•••	Three flashes, 4 seconds pause	Charger board fault
••••	Four flashes, 4 seconds pause	AC/DC transfer fault
•••••	Five flashes, 4 seconds pause	LED lamp fault

NOTE: After repairing a service fault, press and hold the test button for 2 seconds to reset the flashing indicator light to green.

3. Manual Testing

Press test button once	30 seconds duration test
Press test button twice within 2 seconds	3 minutes duration test
Press test button 3 times within 2 seconds	30 minutes duration test
Press test button 4 times within 2 seconds	1 hour or 3 hours