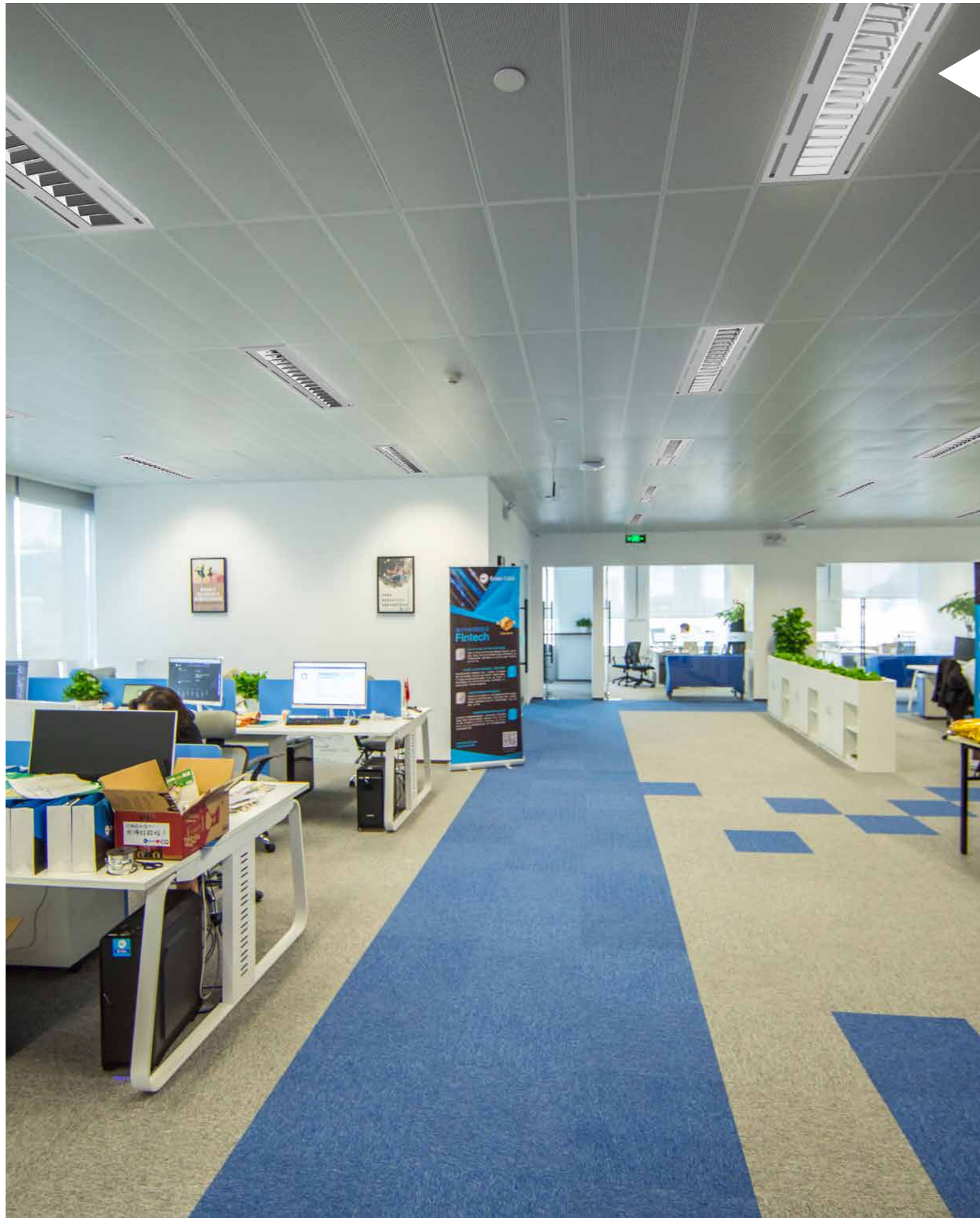


# Opal PL-S Series

## LED Slots Panel Light





## Introduction

This new panel light is a modular design with  $UGR < 19$ . It's adopted high lumen SMD LED light source, special optic design creates a uniform and low glare visual experience. Prism diffuser module and Louver reflector module options are available. The luminous module can be easily replaced and maintained. Slot design option provides a better ventilation and dissipation. This panel offers a combination of stylish design and optimum performance for both task and general lighting.

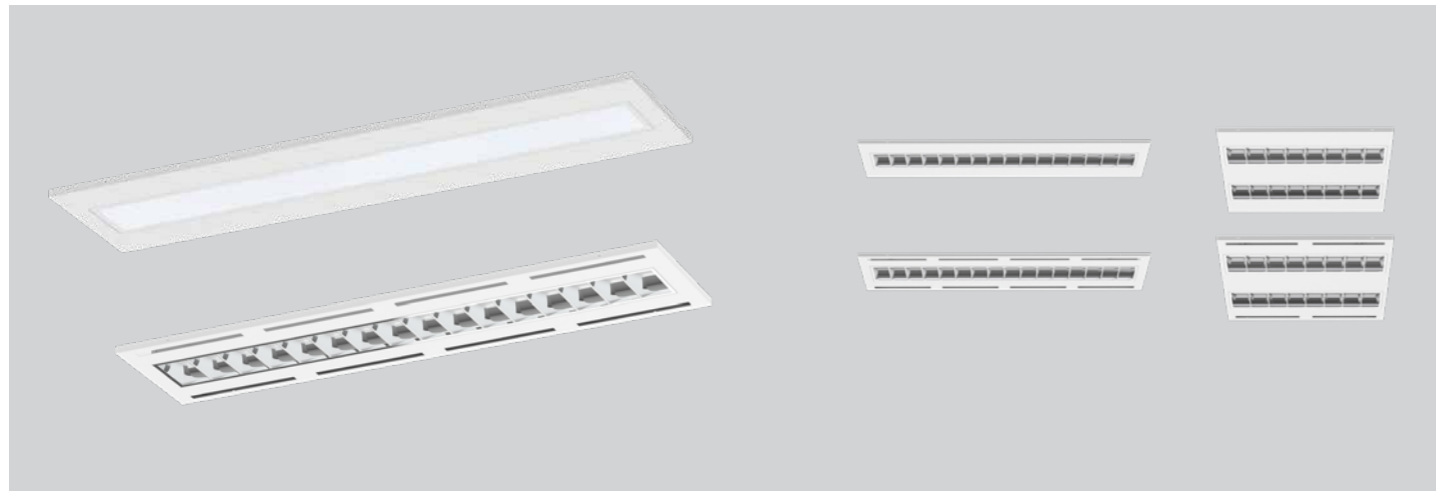
## Features

- Module replaceable, prism diffuser and louver reflector options.
- Slot version available for better ventilation and dissipation.
- Anti glare  $UGR < 19$ .
- External flicker free driver.
- Dimming: Traic dim, 0-10V, DALI

## Application Areas

Office & school lighting: office room, meeting room, class room etc. Commercial lighting: shopping mall, super market, retailer shops etc. Other situations: hospital, laboratory, dust-free workshop etc.



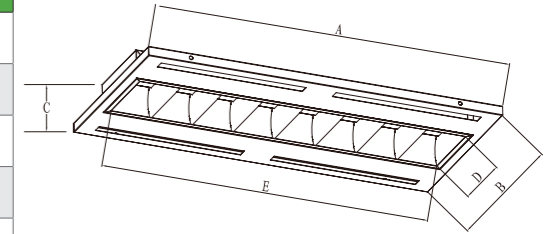


## Technical Data Sheet

Model No.	GUOPA-13W-3060-S	GUOPA-28W-6060-S	GUOPA-28W-1230-S	GUOPA-28W-1240-S	GUOPA-40W-1530-S	
Dimension(mm)	292*592*48	592*592*48	292*1192*48	392*1192*48	292*1492*48	
Cutout (mm)	-					
Watt(W)	13W	28W		40W		
Rated Input Voltage(V)	AC230V					
Input Voltage(V)	AC220-240V					
LED Module Input	DC33-38V					
Light Source	SMD2835					
SDCM	<6					
CCT(K)	1-CCT: 3000K/4000K/5000K/5700K					
CCT Selection DIP Switch	-					
Luminous Flux (lm) ±5%	Non-DIM	1-CCT	1190-1365		2576-2940	3600-4200
			1170-1300		2520-2800	
	DIM	2-CCT	-		-	
			-		-	
CRI	≥80, ≥90					
Beam Angle (°)	90°					
UGR	<19					
LED Driver	Built-out					
Dimming Option	Triac/Dali/0-10V					
Sensor	-					
Emergency Kits	-					
Electrical Class	Class I I					
Ingress Protection (IP Rating)	IP20					
Impact Resistance (IK Rating)	-					
Product Finishing(Base)	White RAL 9003					
Materials of Optics	Diffuser(PS)/Louver(PC cover+Aluminium reflector)					
Materials of Housing	Steel					
Lifetime (hr)	50,000h					
Glow wire test (°C)	650°C					
Operating Temp. (°C)	-10°C ~40°C					
Storage Temp. (°C)	-20°C ~65°C					
Installation	Recessed / Suspended					

## Measurement

Model	Dimension(mm)					Size(mm)	Product Weight (Kg)	
	A	B	C	D	E		N.W/PC	G.W/PC
GUOPA-13W-3060-S	592	292	48	110	544	592*292*48	2.1	2.55
GUOPA-28W-6060-S	592	592	48	110	544	592*592*48	4.1	4.77
GUOPA-28W-1230-S	1192	292	48	110	1090	1192*292*48	3.85	4.62
GUOPA-28W-1240-S	1192	392	48	110	1090	1192*392*48	4.3	5.27
GUOPA-40W-1530-S	1492	292	48	110	1436	1492*292*48	4.86	5.67



## Driver Datasheet (Non- Dimmable)

Total load wattage		13W	28W	40W
Output	Output Voltage range	DC30-40V		
	Rated output current	300mA	700mA	1000mA
	Line Regulation	±5%		
	Setup, Rise Time	≤0.5S		
	Flickering Index	<1% IEEE1789 NO RISK		
Input	Input Voltage	220VAC-240VAC		
	Rated Input Voltage(V)	230V		
	Frequency	50/60Hz		
	Input Current	0.08A	0.16A	0.23A
	Rated Input Current	0.18A	≤0.14A	0.2A
	Power Factor	0.9		
	THD	<20%@AC230V		
	Efficiency	88%		
	No load wattage	<1W		
Protection	Short circuit protection	Pass		
	Over voltage protection	Pass		
	Over temperature protection	Pass		
Safety & EMC	Withstand voltage	I/P-O/P:3.75KVac, <5mA 60S;		
	Isolation Resistance	I/P-O/P: 500VDC, ≥100M Ω		
	Surge	L-N:0.5KV	IEC/EN61000-4-5( P<25W; L-N:500V); IEC/EN61000-4-5 (P≥25w L-N:1KV)	
	EMC Emission	EN55015, EN61000-3-2		
EMC Immunity	EN61000-4-2,3,4,5,6,8,11; EN61547			

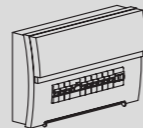
# Driver Datasheet (Triac Dimmable)

Total load wattage		13W	28W	40W
Output	Output Voltage range	DC30-40V		
	Rated output current	300mA	650mA	950mA
	Line Regulation	±5%		
	Setup, Rise Time	0.5S		
	Flickering Index	5.5%IEEE1789 Low Risk		
Input	Input Voltage	200-240VAC		
	Rated Input Voltage(V)	230V		
	Frequency	50HZ		
	Input Current	0.08A	0.16A	≤0.23A
	Rated Input Current	0.07A	≤0.14A	0.2A
	Power Factor	0.9		
	THD	<20%@AC230V		
	Efficiency	80%	84%	
	No load wattage	≤1W		
	Protection	Short circuit protection	Pass	
Over voltage protection		Pass		
Over temperature protection		Pass		
Safety &EMC	Withstand voltage	I/P-O/P:3.75KVac, <5mA 60S;		
	Isolation Resistance	I/P-O/P: 500VDC, ≥100M Ω		
	Surge	IEC/EN61000-4-5( P<25W; L-N:500V); IEC/EN61000-4-5 (P≥25w L-N:1KV)		
	EMC Emission	EN55015, EN61000-3-2		
	EMC Immunity	EN61000-4-2,3,4,5,6,8,11; EN61547		

## Installation Procedure

### WARNING ⚡

1. Switch off power supply before installation / maintenance.
2. Switch on after completing installation and examination of the circuit.
3. The Panel Light must be installed and maintained by professional electrician.

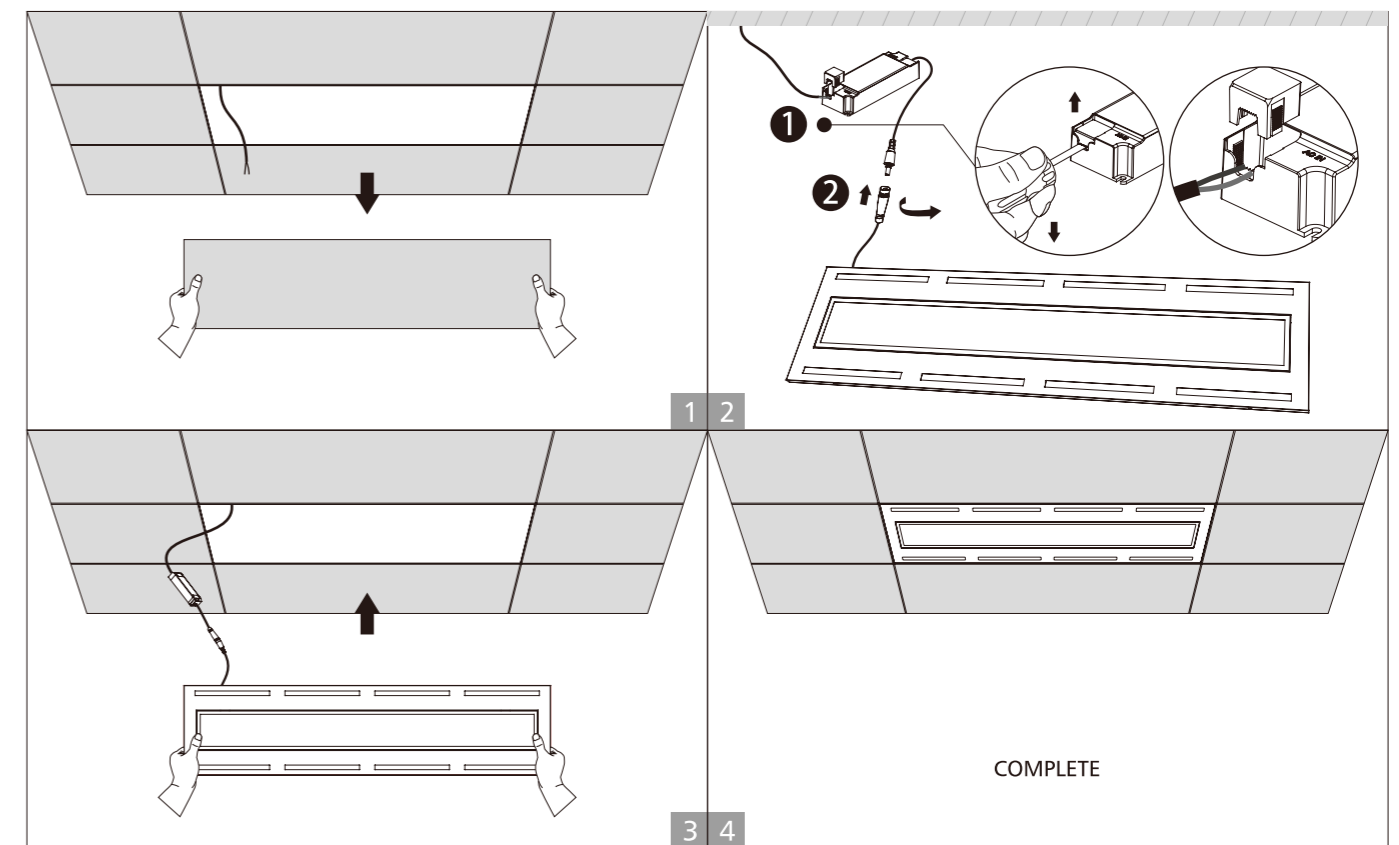


Turn off power supply before installation. Read instructions and make sure you have all the tools and accessories before installation.

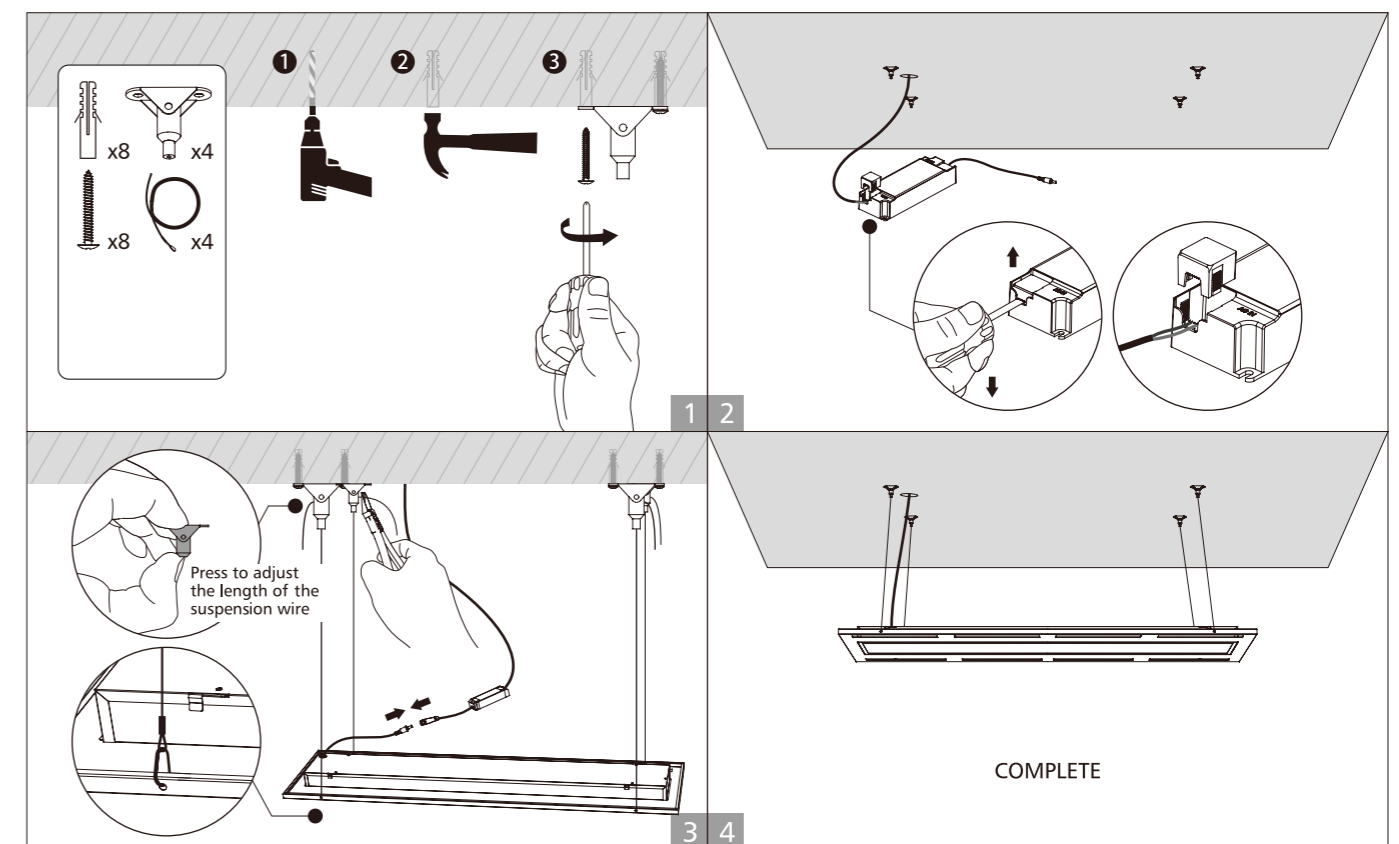
### CAUTION

Make sure that the mounting surface or structural member used for installation can support the weight of LED Panel.

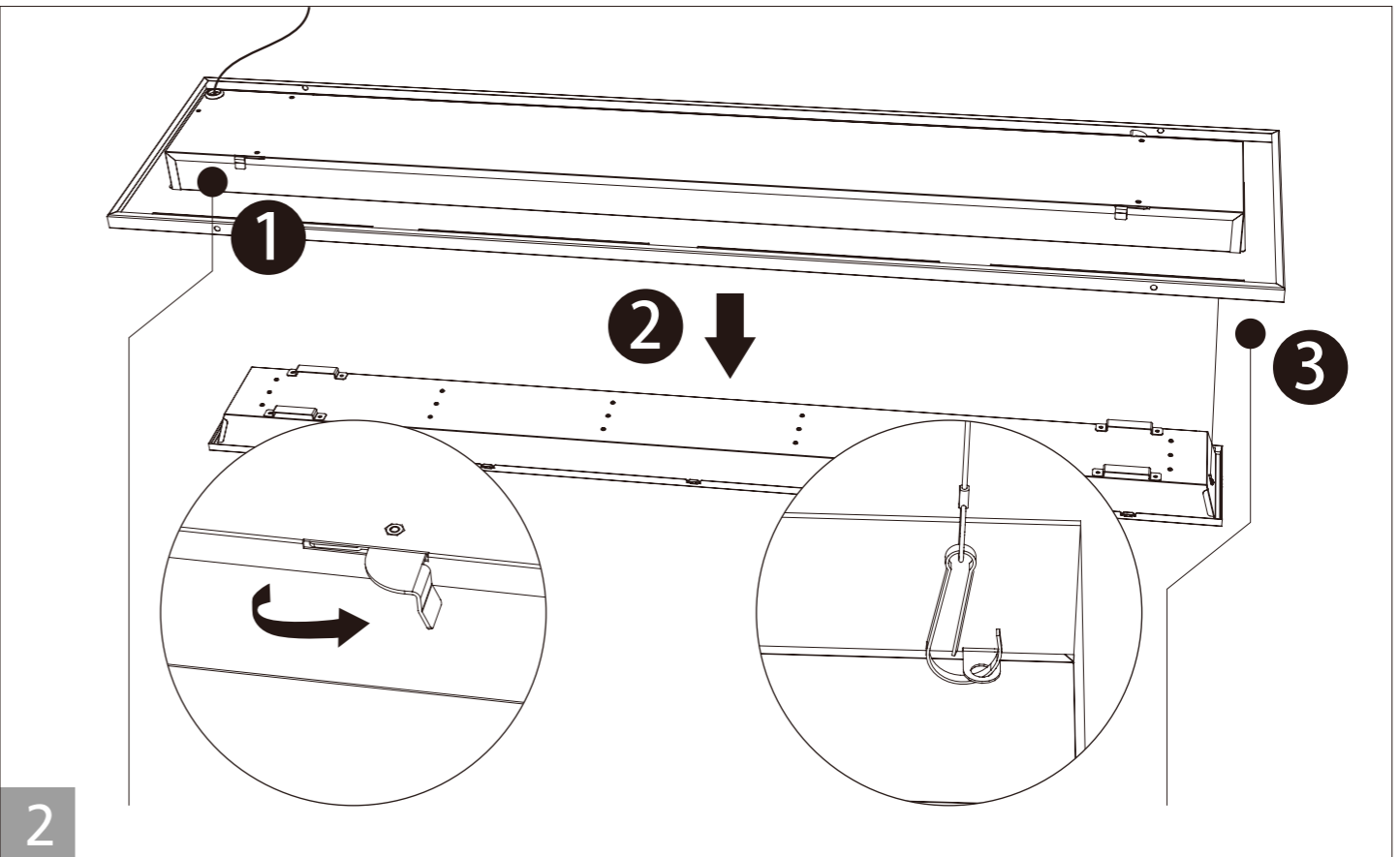
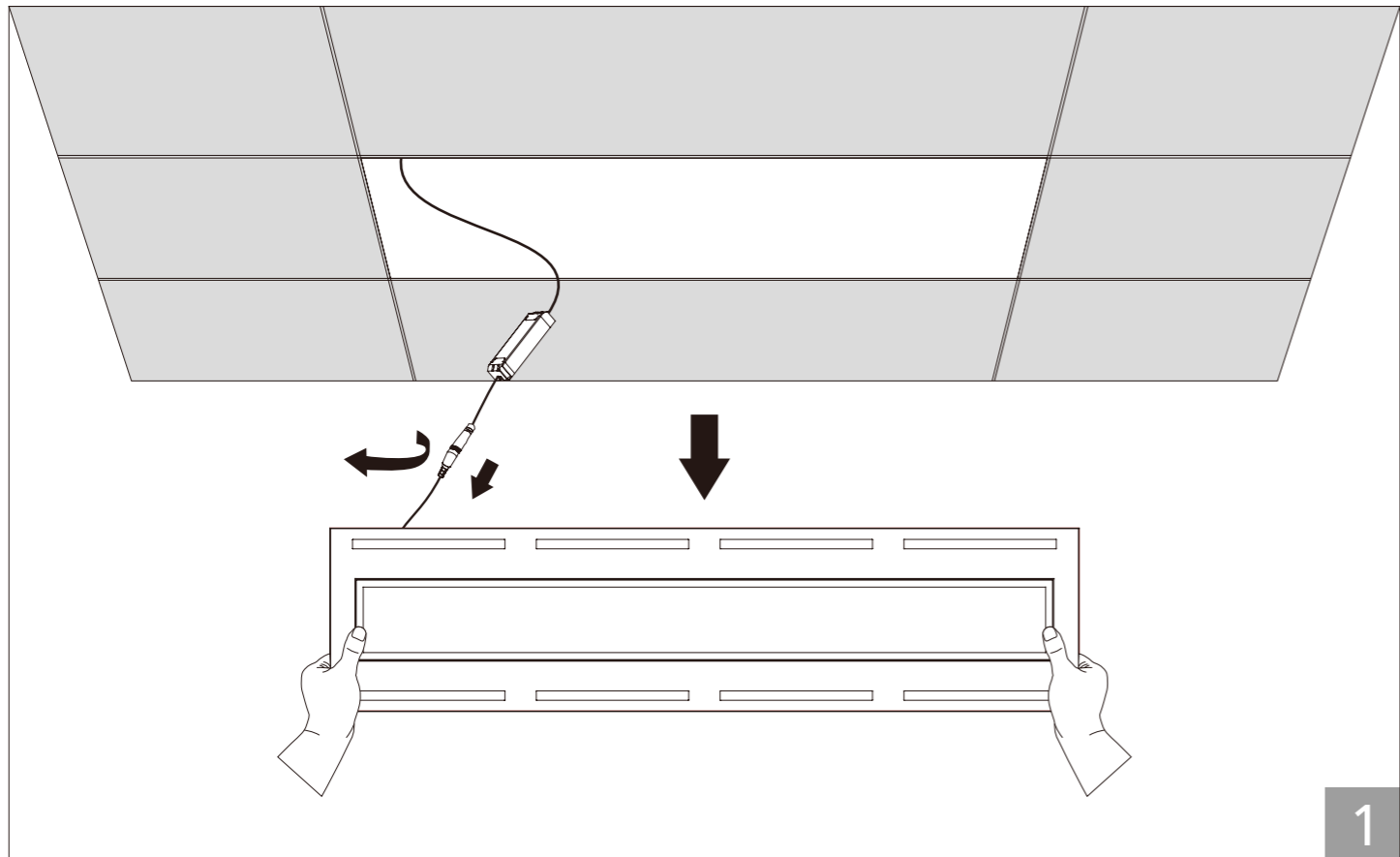
## Recessed installation



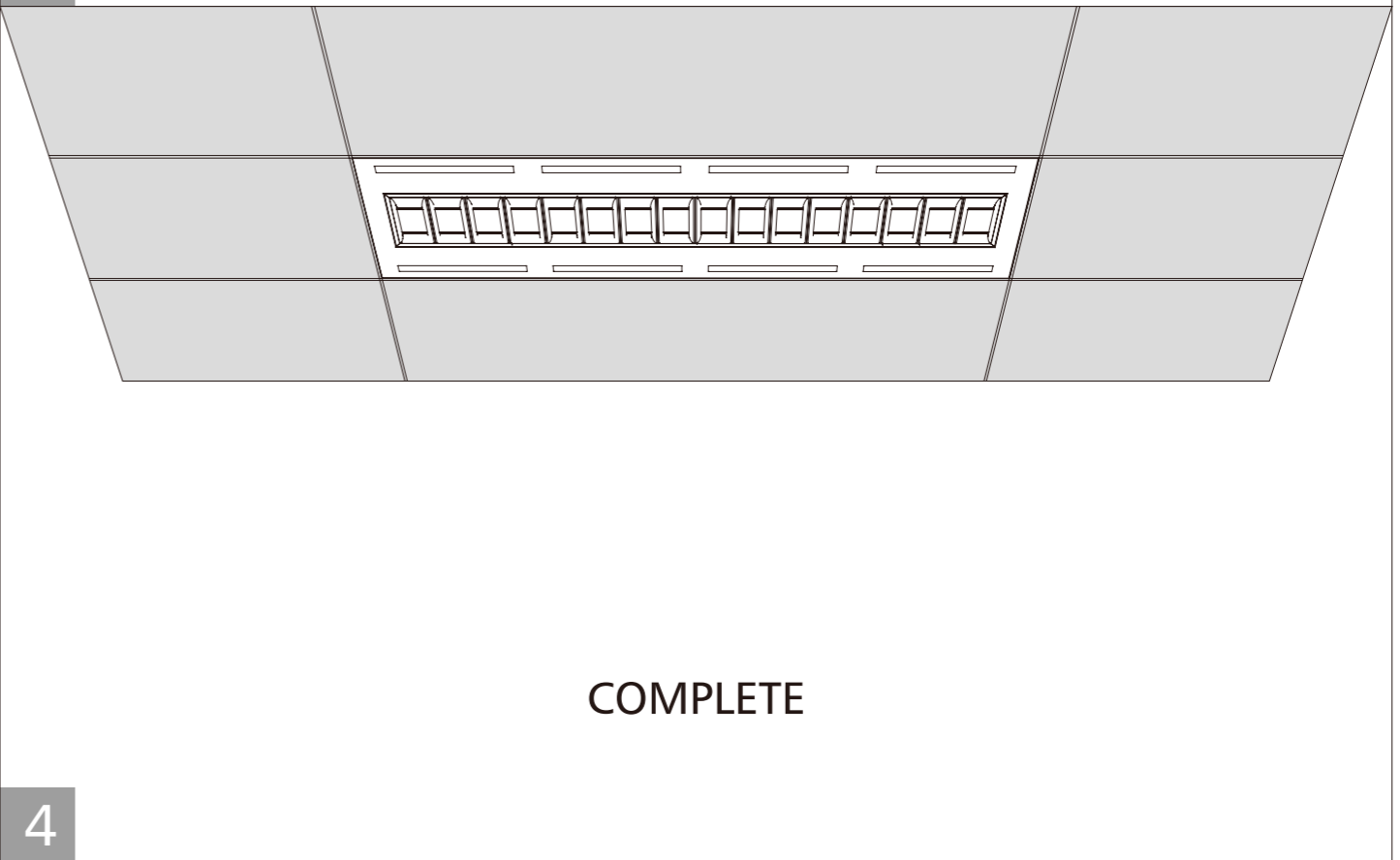
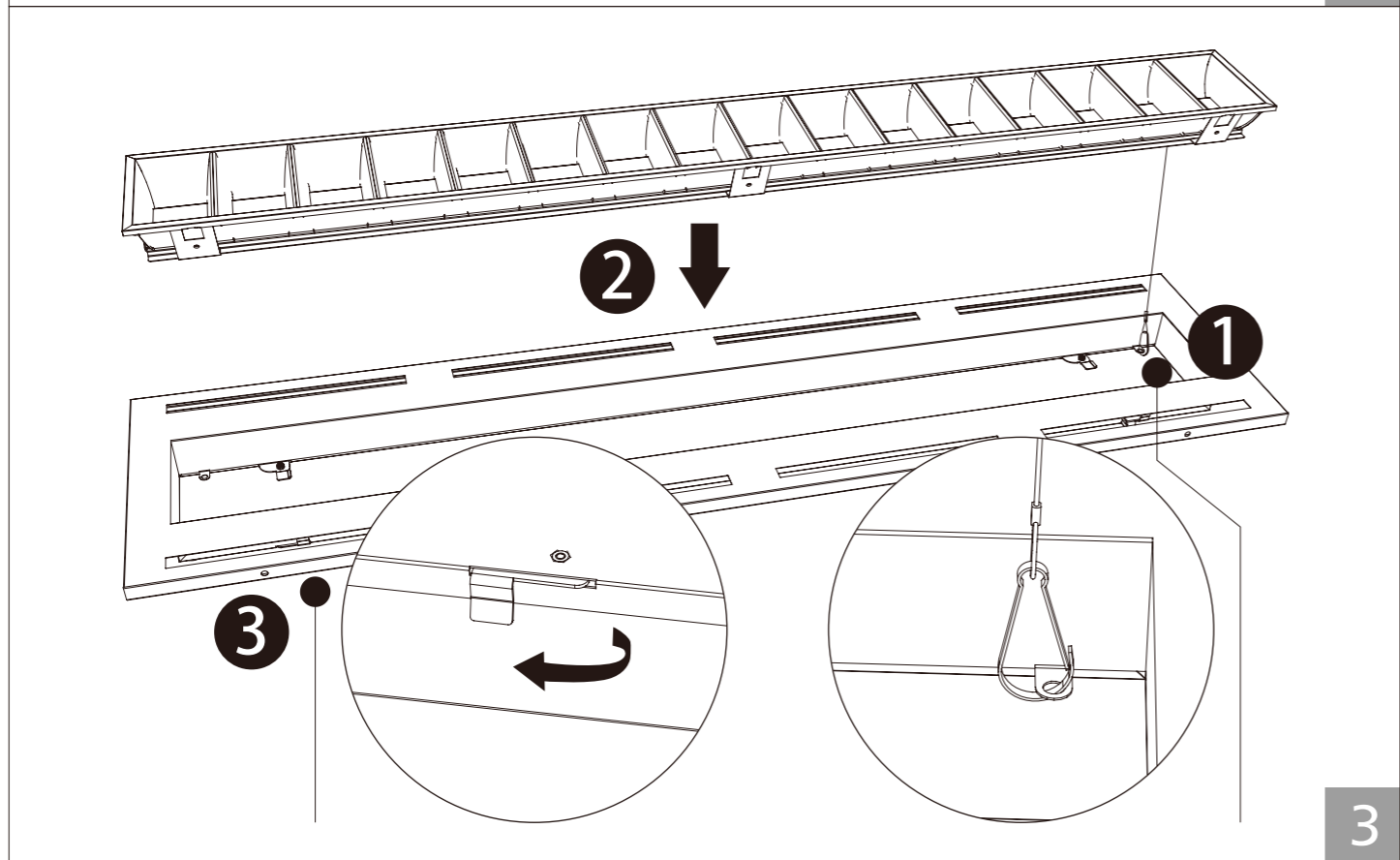
## Suspended installation



# Module replacement guide



1 2



3 4

COMPLETE